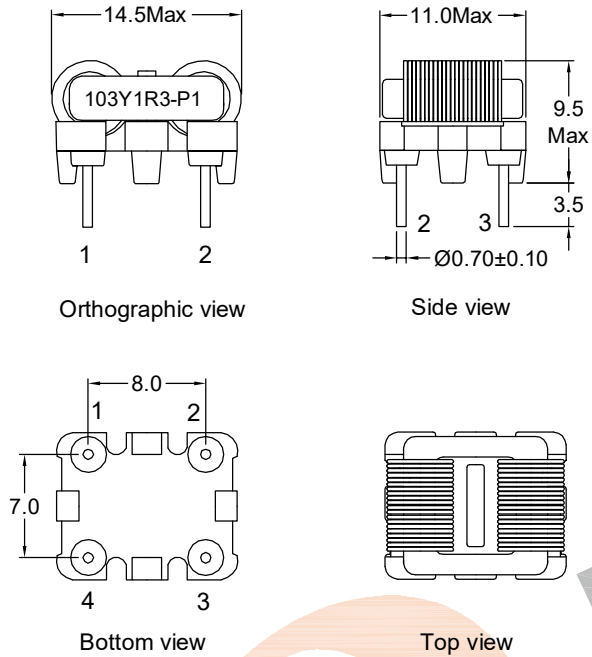
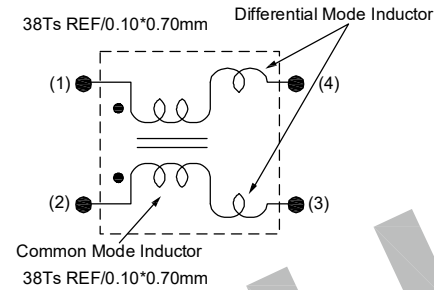


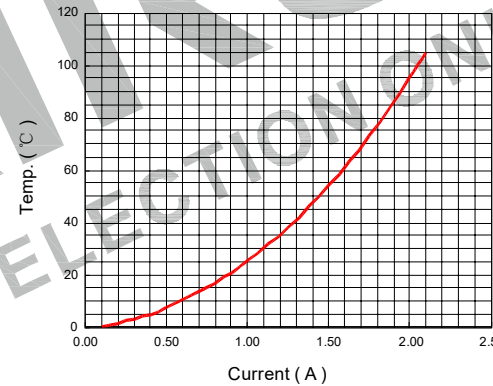
Outline Dimensions(Unit:mm)



Electronical Schematic:



Current VS Temp.(Simulation test).



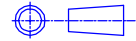
Electrical Characteristics(at 25°C)

Inductance : 10.0mH Min,at 1KHz,0.25V.
 Inductance balance : L1-L2= 300uH Max,at 1KHz,0.25V.
 Lstray: Lkg=42.0uH typ,at 1KHz,0.25V.
 Rated current: 1.3Amps.
 D.C.Resistance : 180 mohms Max.
 Turns Ratio : Wdg1;Wdg2= 1:1±2%,at 20KHz,1V.
 Hipot : Pri-Sec : 1500VAC/1mA/2Second.

List of UL Certificate:

Part Name	Mat'l Description	Supplier	UL Number
Base	SQ10/T375HF	Chang Chun Plastics Co Ltd	E59481
Copper wire	SFT-UEW-H	Ningbo Jintian New Material Co Ltd	E227047
Core	SQ10/10-H15K	ShanDong HengRui Magnet Technology Co Ltd	N/A
Epoxy	YZ-HC-1401C	YouZhi Electronic(DongGuan)Co.,Ltd	N/A
or Varnish	T4260LZ	Suzhou Taihu Electric Advanced Material Co., Ltd	E228349

***Weight:Approx 2.6g.

				Tianchang Fuan Electronic Co Ltd www.fuantronics.net TEL: +86-550-7814888 FAX: +86-550-7831133		 Tolerances unless otherwise specified: (X)±0.50 (XX)±0.25 Unit of measurement: mm		Drawn: <i>Jinle</i> Checked: <i>BenSon</i> Approved: <i>AmSon</i>		DRAWING TITLE CCF1010H Current-compensated frame core double chokes Material Number:		Customer P/N: Document/Rev: 2207397/00 Specification Sheet: 1 of 1 Date of Recognition: July./21/2022	
REV	DESCRIPTION	APPD	DATE										