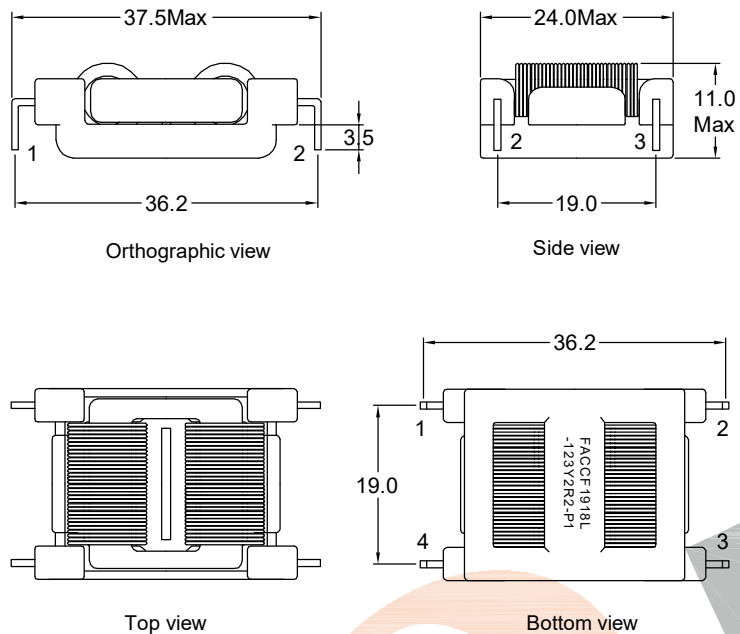
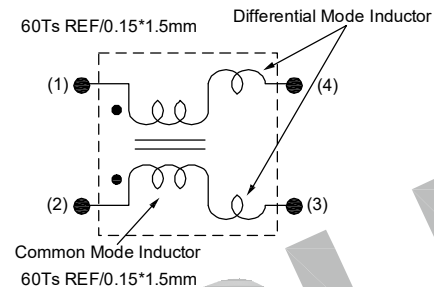


P/N: FACCF1918L-123Y2R2-P1

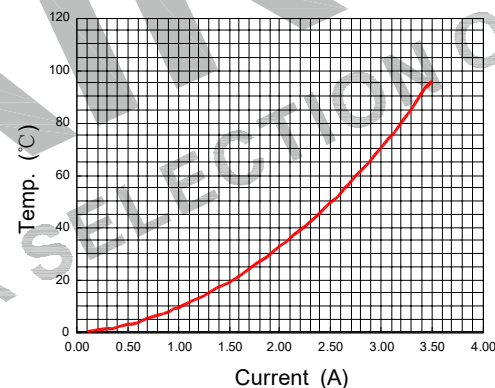
Outline Dimensions(Unit:mm)



Electronical Schematic



Simulation test curve:



Electrical Characteristics(at 25°C)

Inductance : 12.0mH Min,at 1KHz,0.25V.
 Lstray: Lkg=170uH typ,at 1KHz,0.25V.
 Inductance balance : L1-L2= 300uH Max,at 1KHz,0.25V.
 D.C.Resistance: 150 mohms Max.
 Rated current: 2.2Amps.
 Turns Ratio : 1:1±2%,at 20KHz,1V.
 Hipot : Pri-Sec : 1500VAC/5mA/2Second.

List of UL Certificate:

| Part Name | Mat'l Description | Supplier | UL Number |
|-------------|-------------------|--|-----------|
| Bobbin | SQ1918/T375HF | Chang Chun Plastics Co Ltd | E59481 |
| Copper wire | SFT-UEW-H | Ningbo Jintian New Material Co Ltd | E227047 |
| Core | SQ1918-H10K | Su Zhou Tian Ming Magnetic | N/A |
| Epoxy | YZ-HC-1401C | YouZhi Electronic(DongGuan)Co.,Ltd | N/A |
| or Varnish | T4260LZ | Suzhou Taihu Electric Advanced Material Co., Ltd | E228349 |

***Weight:Approx 16.0g.

Tianchang Fuan Electronic Co Ltd
 www.fuantronics.net
 TEL: +86-550-7814888
 FAX: +86-550-7831133



Tolerances unless otherwise specified:
 (X)±0.50 (XX)±0.25
 Unit of measurement: mm

Make: Yuing.yu

Checked: Beson. zhan

Approved: Anson. zhan

DRAWING TITLE

CCF1918L Current-compensated
 frame core double chokes

Material Number:

Customer P/N:

Document/Rev: 2207284/00

Specification Sheet: 1 of 1

Date of Recognition: July./20/2022

| REV | DESCRIPTION | APPD | DATE |
|-----|-------------|------|------|
| | | | |