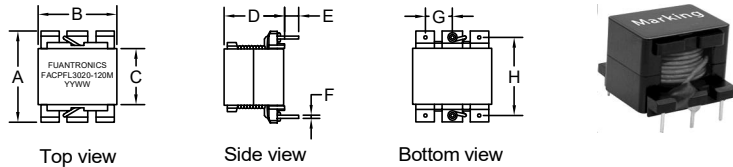


P/N: FACPFL3020-120M

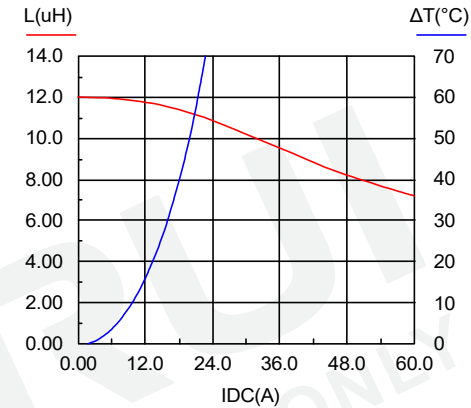


Outline Dimensions(Unit:mm)

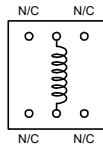


|     | A     | B     | C     | D     | E     | F     | G     | H     |
|-----|-------|-------|-------|-------|-------|-------|-------|-------|
| Max | ±0.50 | ±0.50 | ±0.50 | ±0.50 | ±0.50 | ±0.20 | ±0.50 | ±1.00 |
|     | 32.0  | 26.7  | 19.0  | 20.5  | 5.00  | Ø1.00 | 9.10  | 26.6  |

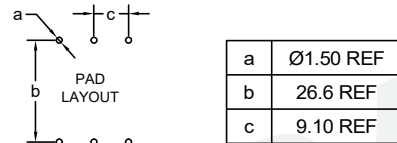
Saturation current VS temperature rise current curve:



Electronical Schematic

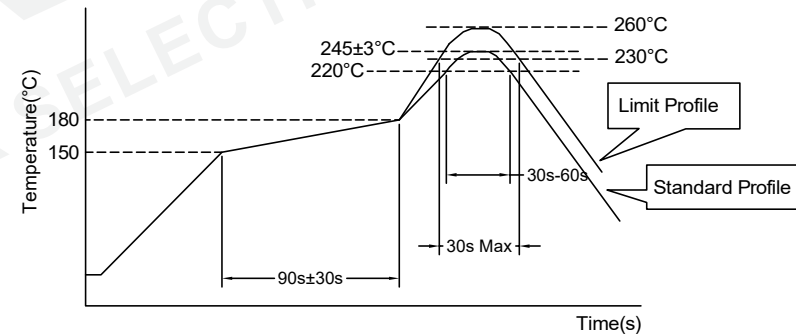


Suggested Pad layout



- \*\*\*Assemblage design, sturdy structure.
- \*\*\*High inductance, high current, low magnetic loss, low ESR, small parasitic capacitance.
- \*\*\*Litz wire winding, effectively reduce skin effect.
- \*\*\*Temperature rise current and saturation current is less influenced by environment.

Recommended Soldering Temperature Graph.



Electrical Characteristics(@25°C)

| Inductance<br>100KHz,0.1V | DC Resistor | Saturated<br>current<br>35A | Temperature<br>rise current<br>18A |
|---------------------------|-------------|-----------------------------|------------------------------------|
| 12.0uH±20%                | 10.4mΩ Max  | L(35A)=70%*L0A Typ          | T≤50°C Typ                         |

- \*\*\*Saturation current: the actual value of DC current when the inductance decrease 30% of its initial value.
- \*\*\*Temperature rise current: the actual value of DC current when the temperature rise is ΔT50°C(Ta=25°C).
- \*\*\*Operating Temperature: -40°C~+125°C (Temperature rise included)
- \*\*\*Storage Temperature: -40°C~+125°C
- \*\*\*Storage Humidity:RH10%~70%.

|                  | Standard Profile    | Standard Profile    |
|------------------|---------------------|---------------------|
| Pre-heating      | 150~180°C,90s±30s   |                     |
| Heating          | above 220°C,30s-60s | above 240°C,30s Max |
| Peak temperature | 245°C±3°C           | 260°C,10s           |
| Cycle of reflow  | 2 times             | 2 times             |

|     |             |      |      |   |   |                                   |  |                  |
|-----|-------------|------|------|---|---|-----------------------------------|--|------------------|
| REV | DESCRIPTION | APPD | DATE | Tianchang Fuan Electronic Co Ltd<br>www.fuantronics.net<br>TEL: +86-550-7814888<br>FAX: +86-550-7831133 | <br>Tolerances unless otherwise specified:<br>(.X)±0.50 (.XX)±0.25<br>Unit of measurement: mm | Make: Qiumei.Liu                  | <b>DRAWING TITLE</b><br>HIGH CURRENT<br>POWER INDUCTORS<br>Material Number: A343020XS010 | Customer Name:   |
|     |             |      |      |   |   | Checked: Beson. zhan              |  | Document/Rev: 00 |
|     |             |      |      | Approved: Anson. zhan   | Specification Sheet: 1 of 1   | Date of Recognition: Jan./02/2020 |  |                  |