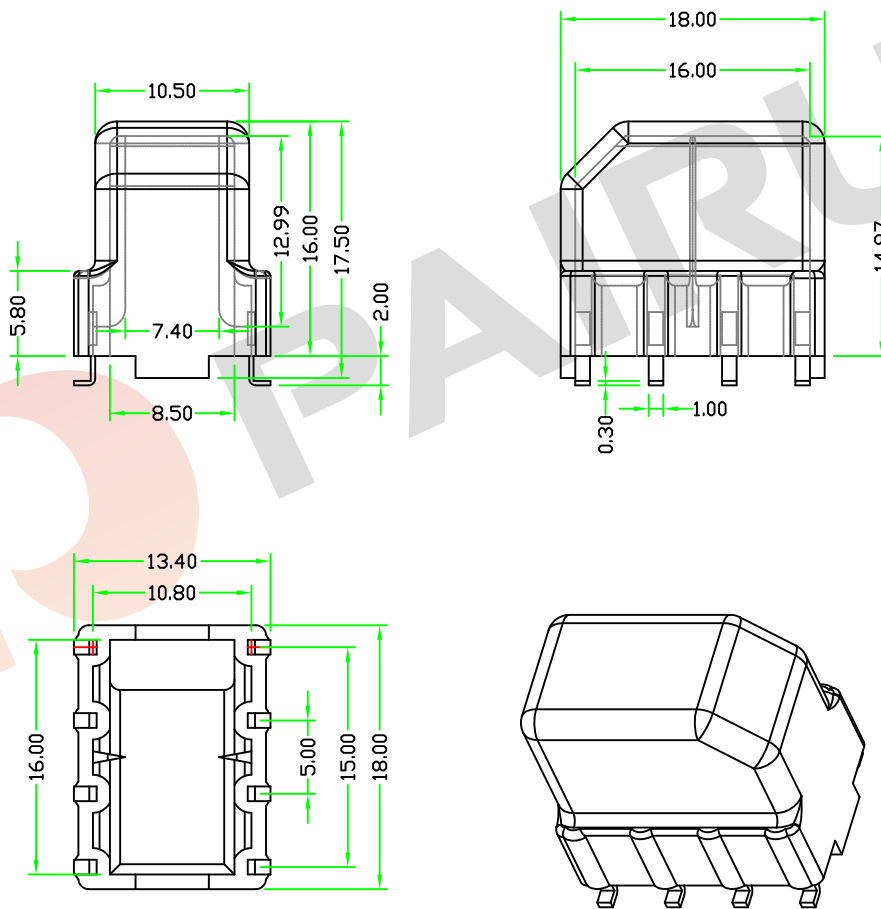


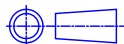
General data 8-pins T12.7 series case

PARAMETER	SPECIFICATION
Case material	polybutyleneterephthalate (PBT), glass reinforced, flame retardant in accordance with "UL 94V-0"; UL file number E59481
Pin material	copper-tin alloy (CuSn), tin (Sn) plated
Maximum operating temperature	130 °C, "IEC 60085", class B
Resistance to soldering heat	"IEC 60068-2-20", Part 2, Test Tb, method 1B, 350 °C, 3.5 s
Soldeerability	"IEC 60068-2-20", Part 2, Test Ta, method 1



Tolerances unless otherwise specified:  
 $0 < L \leq 4 \pm 0.10$      $4 < L \leq 16 \pm 0.20$   
 $16 < L \leq 45 \pm 0.30$      $45 \leq L \pm 0.40$   
 Pin Dim:  $\pm 0.05$     Thickness:  $\pm 0.20$     Pin Pitch:  $\pm 0.20$

Dimensions:  
(mm)



TYPE NUMBER: CASE-16-001S-8P

Mould No.: EB16-001S

Bobbin material: PBT

Code No.: FAY01091

Available for Fuan core: T12.7 Series



Fuan Electronics

TEL :0086-514-87693589  
 EML :sales@fuantronics.net  
 WEB:www.fuantronics.net

Make: P.Xiao

Material Number: A4LEB1600100

Checked: Beson. zhan

Document/Rev: 00

Approved: Anson. zhan

Date of Recognition: Oct./21/2019