

PIBG-K2 20-60W

American standard series, 120-347V input, 0-10V dimming
(support Power and color temperature adjustment)



Features & benefits:

- Universal AC Input Voltage
- Linear form factor, Side feed, PP tube
- Isolated 0-10V dimming
- Economic Design
- Suitable for indoor use
- Class 2 output
- Operating temperature: -25°C ~+55°C
- Comply with UL8750

Optional Function

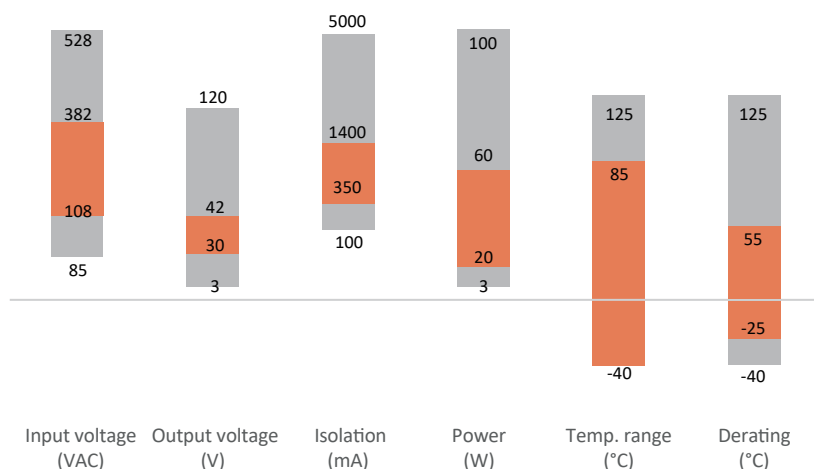
- Aux power & dim to off for flicker free type
- Build in INT or CCT selection switch
- Flicker free

Areas of application

- Indoor lighting
- Office lighting



Summary



Product datasheet

Technical data

Electrical data

| Product Modle | Max. Output Power | Input Voltage | Output Current | Output Voltage Range | PF | Eff | Size |
|--------------------|-------------------|---------------|------------------|----------------------|----------|-----|-----------|
| PIBG030C0750VSRMK2 | 30W | 120-347V | 750/650/540mA | 30-42V | 0.9/0.95 | 87% | 280*30*21 |
| PIBG040C1050VSRMK2 | 40W | 120-347V | 1050/800/650mA | 30-42V | 0.9/0.95 | 88% | 280*30*21 |
| PIBG050C1250VSRMK2 | 50W | 120-347V | 1250/1050/800mA | 30-42V | 0.9/0.95 | 89% | 280*30*21 |
| PIBG060C1400VSRMK2 | 60W | 120-347V | 1400/1300/1200mA | 30-42V | 0.9/0.95 | 89% | 280*30*21 |
| PIBG030C0750VDRMK2 | 30W | 120-347V | 750/650/540mA | 30-42V | 0.9/0.95 | 87% | 280*30*21 |
| PIBG040C1050VDRMK2 | 40W | 120-347V | 1050/800/650mA | 30-42V | 0.9/0.95 | 88% | 280*30*21 |
| PIBG050C1250VDRMK2 | 50W | 120-347V | 1250/1050/800mA | 30-42V | 0.9/0.95 | 89% | 280*30*21 |
| PIBG060C1400VDRMK2 | 60W | 120-347V | 1400/1300/1200mA | 30-42V | 0.9/0.95 | 89% | 280*30*21 |

Technical data

Electrical Specifications

| Category | Item | Technical Norm |
|-------------------|------------------------|--|
| Input | Rated Input Voltage | 120-347VAC |
| | Range of Input Voltage | 108-382VAC |
| | Frequency | 50/60Hz 47-63Hz(120VAC,full load) |
| | Max. Input Current | PIBG020≤0.22A(120VAC,full load) PIBG030≤0.35A(120VAC,full load) PIBG040≤0.42A(120VAC,full load) PIBG050≤0.54A(120VAC,full load) PIBG060≤0.7A(120VAC,full load) |
| | Inrush Current | ≤75A(347VAC,Cold Start) |
| | Leakage Current | ≤0.75mA(347VAC,60Hz) |
| | Power Factor | ≥0.95(120VAC,full load) ≥0.9(347VAC,full load) |
| | THD | ≤20% (full load) |
| | Turn On Delay Time | ≤0.75S(Cold Start,without dimmer) |
| | output | Output Current |
| Current Tolerance | | ≤5% |
| Output Voltage | | 30-42V |
| Output Power | | PIBG020 ≤21.6W PIBG030 ≤30W PIBG040 ≤40W PIBG050 ≤50W PIBG060 ≤60W |
| Line Regulation | | ≤5% |

Product datasheet

Technical data

Electrical Specifications

| | | |
|----------------------|---------------------------------------|---|
| | Load Regulation | ≤5% |
| | Current Ripple | ≤10% Output current Full Load, (I _{omax} -I _{omin})/(I _{omax} +I _{omin}), Flicker free |
| | | ≤30% Output current Full Load, (I _{omax} -I _{omin})/(I _{omax} +I _{omin}), High ripple |
| | Output Current Overshoot | ≤10% |
| INT selection | Built-in INT selection switch | 3 positions |
| CCT selection | Build in CCT selection switch | CCT1=Channel 1 on, Channel 2 off CCT2=Channel 1 on, Channel 2 on CCT3=Channel 1 off, Channel 2 on |
| 0~10V Dimming | Dimming Curve | Linear. See "Dimming curve" |
| | Absolute Maximum Voltage on 0~10V Pin | 0-10V |
| | Source Current on 0~10V Dimming Pin | 200-500uA |
| | Output Current Range | 10%-100%, Non dim to off version 0%-100%, Dim to off version, Dim to off at VDIM=0 |
| Auxiliary source 12V | Output Voltage | 12Vdc |
| | Output Current | ≤200mA |
| Protection | Over Voltage Protection | ≤60V Auto Recovery |
| | Short Circuit Protection | Auto Recovery |
| Environment | Ta/Ambient Operation Temperature | -25....+55°C |
| | Ts/Storage Temperature | -40....+85°C |
| | Tc/Max. Case Temperature | 85°C |
| | Ha/Operating Relative Humidity | 10%....90% |
| | Acoustic Noise | ≤24dBA |
| | Humidity | 5%....95%RH |
| | Cooling | Convection Cooling |
| | IP Rating | Dry and damp UL approved |
| Wire rod | Enter the line | UL line UL1015 AWM-18AWG 600V L=300mm peel 10mm soak tin multi-strand black |
| | Enter the line | UL line UL1015 AWM-18AWG 600V L=300mm peel 10mm soak tin multi-strand white |
| | Output line | UL line UL1569 AWM-20AWG 300V L=500mm peel 8mm soak tin multi-strand red |
| | Output line | UL line UL1569 AWM-20AWG 300V L=500mm peel 8mm soak tin multi-strand blue |
| | Output line | UL line UL1569 AWM-20AWG 300V L=500mm peel 8mm soak tin multi-strand Black |

Product datasheet

Technical data

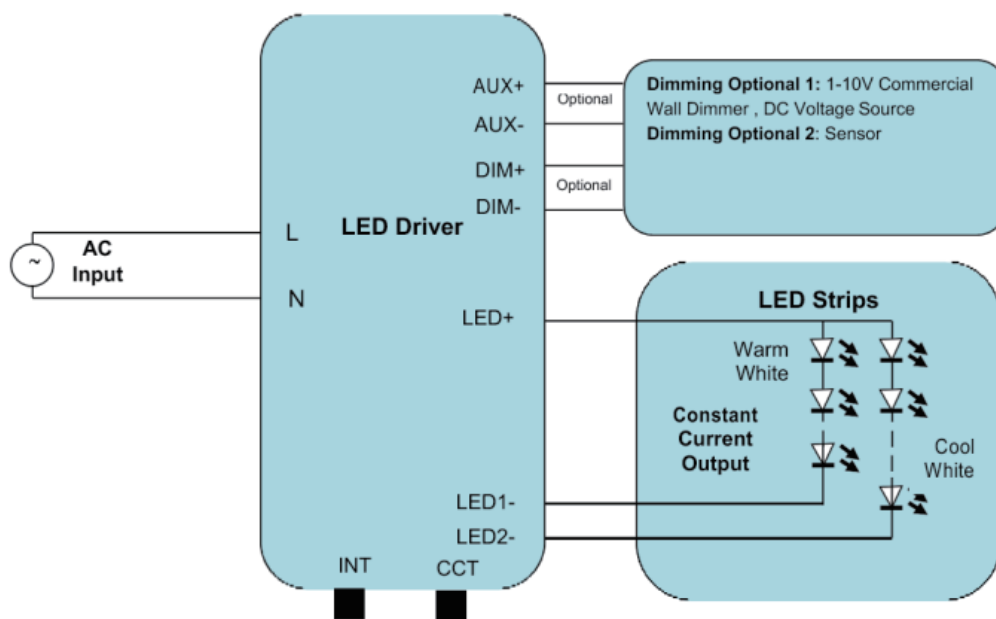
Electrical Specifications

| | | | |
|----------------------------|---|--|--|
| | Turn up the light | UL line UL1015 AWM-20AWG 600V L=560mm peel 8mm soak tin multi-strand purple | |
| | Turn up the light | UL line UL1015 AWM-20AWG 600V L=560mm peel 8mm soak tin multi-strand pink | |
| | Auxiliary source line | UL line UL1015 AWM-20AWG 600V L=500mm peel 8mm soak tin multi-strand yellow | |
| Others | Life Time | ≥50kHrs, Full Load, 85 °C Tc , 120VAC | |
| | MTBF | ≥200kHrs, Full Load, 25 °C ambient temperature , 120VAC | |
| | Net Weight | PIBG020 120g PIBG040 142g | |
| | Warranty | 50KHrs Warranty at Tc ≤85°C | |
| | Flicker | Title 24 | |
| Safety Compliance | CUL/UL | UL8750, CAN/CSA-C22.2 No. 250.13 | |
| | EMI Emissions | FCC Title 47 Part 15B Class B at 120VAC, Class A at 277VAC & 347VAC | |
| | Voltage Fluctuations and Flicker | IEC61000-3-3 | |
| Electromagnetic Compliance | EMI Emissions | FCC Title 47 Part 15B Class B at 120VAC, Class A at 277VAC & 347VAC | |
| | Voltage Fluctuations and Flicker | IEC61000-3-3 | |
| | Immunity Compliance | | IEC 61000-4-2 ±8kV air Discharge, ±6kV Contact Discharge |
| | | | IEC 61000-4-5 or ANSI/IEEE C62.41-2002 ± 1kV, test at 2 Ω; 5 strikes/1minute interval (40 total strikes) |
| | | | ANSI/IEEE C62.41.1-2002 2.5kV Ring Wave, test at 30Ω 7 Strikes/1 minute interval, Common and Differential mode, 56 total strikes |
| | | | IEC 61000-4-11 >95% dip, .5 period; 30% dip, 25 periods; 95% reduction, 250 periods |
| | | IEC 61000-4-4 ± 2kV Direct couple to Line input, 5kHz repetition rate, 15mS duration, 300mS period. 7 coupling paths, 1 minute per path (14 total combinations) | |
| Remark | Unless otherwise specified, all the above parameters are measured at ambient temperature of 25 °C and rated voltage | | |

Product datasheet

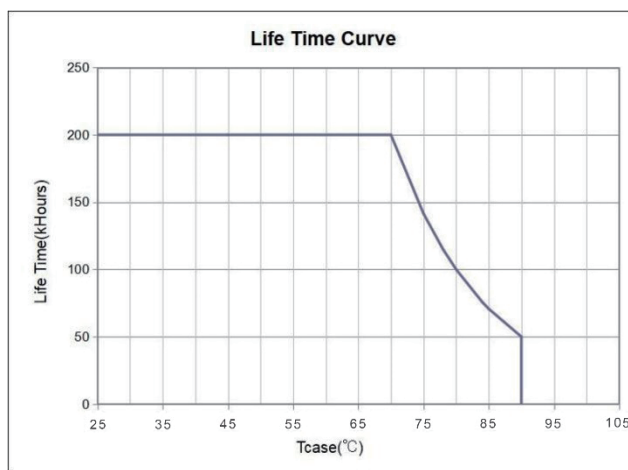
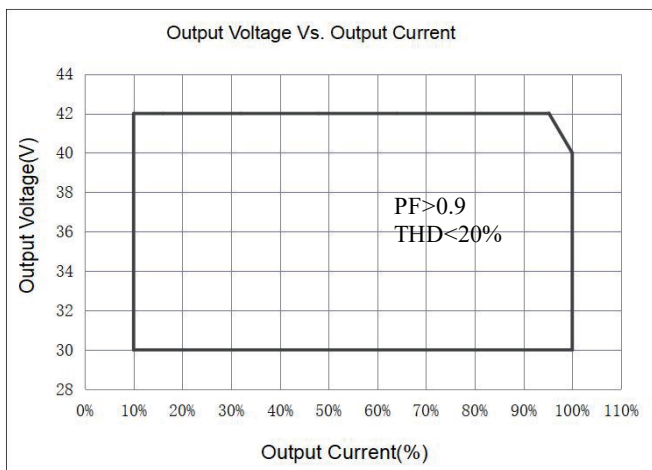
Technical data

Installation



Appearance information

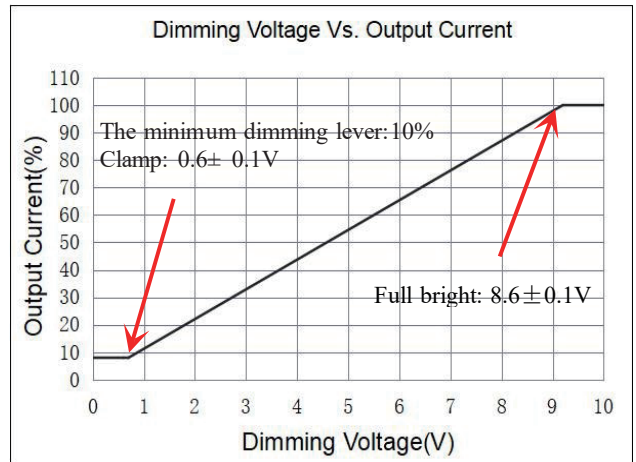
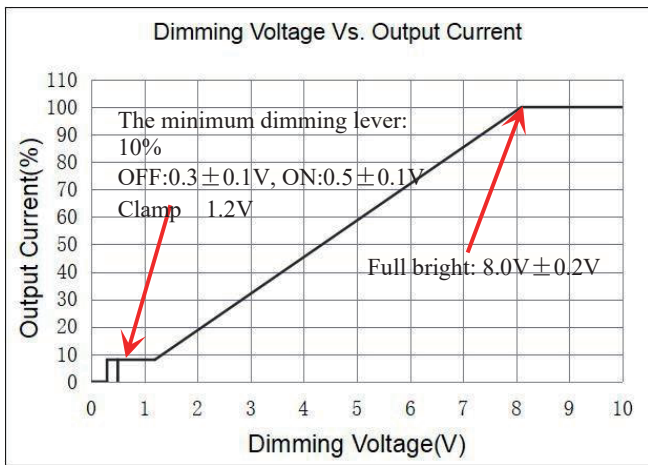
Typical Characteristics Curve



Product datasheet

Appearance information

Typical Characteristics Curve



Mechanical Drawing for troffer

Dimensions

