

## 150 Watt — PYG150W Series Rev A V3.0

Constant current&constant voltage LED driver with 0-10V or PWM dimming

### Product family features



- Drive Mode: Constant Current, Constant Voltage, Dimming
- Technology: Active PFC Corrected 2-Stage Switch Mode
- Input Voltage: 100 to 277Vac (UL). 100 to 240Vac (ENEC)
- Output Power: 150Watt Max
- Dimming: Smooth & Continuous Dimming from 10% to 100%. LEDs turn on to any dimmed level without going to full brightness.  
Constant Current Reduction (CCR) dimming methods.  
0-10V: 2-wire Analog / PWM Control Dimming
- Output 1: 28 to 56Vdc / 700 to 4200mA (Set by PC programmer)
- Output 2: 56 to 107Vdc / 500 to 2100mA (Set by PC programmer)
- Output 3: 107 to 214Vdc / 350 to 1000mA (Set by PC programmer)
- Efficiency: Up to 92%
- Warranty: 5 years
- Continuous, dimming from 10% to 100%. Set maximum output current  
Set minimum dim
- The programming cable and the dimming cable are combined to simplify the user's operation
- Three time controlled dimming modes
- Safety isolation between primary and secondary. Dimming control is isolated from AC input and DC output
- A rated lifetime of 50,000 hours @ Tc = 80°C
- Safety: UL8750, UL1310 Class 2, CSA22.2, EN61347, GB19510
- EMC: FCC 47CFR Part 15, Class B @120V & Class A @277V, EN55015, GB17625
- Inrush Current Limiting Circuitry: AC Power Line: line to line 6KV, line to earth 10KV eliminates circuit breaker tripping, switch arcing and relay failure
- Metal shell, Used with silicone potting. Meet the RoHS directive
- IP67, NEMA4 compliant for Dry, Damp, Wet Locations. Type HL



# Product datasheet

## Technical data

### Electrical data

#### 150W 0-10V & PWM Dimming Part List

Product Model	US & CN Class 2	Output Voltage Range(Vdc)	Programmable Current Range (mA)	Programmable Current Range at Full Power Output (mA)	Output Power max (W)	Efficiency% @ Max Load				Uout max (V)
						Vout(V)	@120V	@230	@277	
PYG150W-56-C4200-RP-P-W	No	28-56	700-4200	2680 - 4200	150	36	88	90.8	91	59
PYG150W-107-C2100-RP-P-W	No	53-107	500-2100	1330 - 2100	150	72	89	90.8	91	115
PYG150W-214-C1000-RP-P-W	No	107-214	350-1000	700 - 1000	150	150	89.3	90.8	91	230
PYG150W-56-C4200-RP-P	No	28-56	700-4200	2680 - 4200	150	36	88	90.8	91	59
PYG150W-107-C2100-RP-P	No	53-107	500-2100	1330 - 2100	150	72	89	90.8	91	115
PYG150W-214-C1000-RP-P	No	107-214	350-1000	700 - 1000	150	150	89.3	90.8	91	230

Note: Maximum efficiency measured at 230VAC input

Product may be suffixed by "-P", which means suitable for UL listed & class P models, without suffix "-P" are suitable UL component use only

Product may be suffixed by "-W", which means suitable for EU or UL wet location use models, without suffix "-W" are suitable dry/damp location use only

### Electrical Specifications

	Parameter	Min	Typ	Max	Notes / Conditions	
Input	Input Voltage	90V		305V		
	Input Frequency	47Hz	50/60Hz	63Hz		
	Input AC Current				1.5A	Measured at 120 Vac / 60Hz Input, Output Full Load
					0.8A	Measured at 230 Vac / 50Hz Input, Output Full Load
					0.7A	Measured at 277 Vac / 60Hz Input, Output Full Load
	Inrush Current ( Peak )		50A / 3uS	60A / 5uS		Measured at 120 Vac / 60Hz Input, Output Full Load
			110A / 3uS	120A / 5uS		Measured at 277 Vac / 60Hz Input, Output Full Load
	No-load Power			5.0W	No-load	
Leakage Current				0.5mA	Measured at 120 Vac / 60Hz Input, Output Full Load	
				0.7mA	Measured at 277 Vac / 60Hz Input, Output Full Load	
THD			20%	Measured at 120, 230, 277 Vac Input, 60%-100% Load ( 90W-150W )		
Power Factor ( PF )	0.90					
Output	DC Output Voltage	Per Table	Per Table	Per Table	Per Tables on Page 1,2	
	Output Constant Current	-5%	Per Table	+5%	Per Tables on Page 1,2	
	Output Power			Per Table	Per Tables on Page 1,2	
	Output LF Current Ripple(<120Hz)		5%	10%	20MHz BW, Full load output Ripple Index is defined as $[(Y_{max}-Y_{min})/(Y_{max}+Y_{min})] * 100\%$ . Y may be V or I	
	Line Regulation	-2%		+2%	Measured at 120, 230, 277 Vac / 60Hz Input, Output Full Load	
	Load Regulation	-5%		+5%	Measured at 120, 230, 277 Vac / 60Hz Input	
	Start-up Time				500ms	Measured at 120, 230 Vac / 60Hz Input, Output Full Load
					450ms	Measured at 277 Vac / 50Hz Input, Output Full Load
	Output Overshoot	-2%		+10%	Measured at 120, 230, 277 Vac Input, When power on or off	
Hold-up Time		10ms		Typical @ 277 Vac Input, Output Full Load		

# Product datasheet

## Technical data

### Electrical Specifications

Protection	Output Short Circuit ( SCP )		No Damage	
	Output Over Current ( OCP )	+10% Io	Constant Current Limiting circuit	
	Output Over Voltage ( OVP )	120% Vo	No Damage	
General	Cooling	Convection		
	MTBF	480,000 hours	Measured at 230 Vac input, 100% Load and Tc=25°C	
	Life Time	50,000 hours	@ Tc = 80°C	
Environmental	Case Temperature ( Tc )	-30 °C	+90 °C	Measured at location specified on case
	Operating Temperature ( Ta )	-30 °C	+55 °C	This is a reference range. Tc controls temperature range
	Storage Temperature ( Ts )	-40 °C	+85 °C	Non operating temperature range
	Operating Humidity	5% RH	95% RH	Relative Humidity. Non-condensing
	Vibration	5 Hz	55 Hz	2G, 10 minutes / 1 cycle, period 30 minutes, each along X, Y, Z axis

	Parameter	Min	Typ	Max	Notes / Conditions	
Dimming	0-10V Dimming	Input Absolute Voltage	-2.0V	10V	15V	Purple Wire
		Output Source Current	200uA	300uA	450uA	Purple Wire
		Output Current Range in 0-10V Dimming	10%		100%	CCR output
		Output Current in 0-10V Pin Open		Normal	15V	
		Output Current in 0-10V Pin Short Circuit		Min		CCR output
		Input Absolute Voltage	-2.0V	10V	15V	
	PWM Dimming	Input Current on PWM pin	200uA	300uA	450uA	
		PWM Frequency	200Hz	1KHz	1.5KHz	
		PWM Duty	0%		100%	
		Output Current Range in PWM Dimming	10%		100%	CCR output
		Output Current in PWM Pin Open		Normal	15V	
		Output Current in PWM Pin Short Circuit		Min	1000uA	
Dimming output range	PYG150W-56-C4200-YY-P-W	10%loset		loset	2680 mA ≤ loiset ≤ 4200 mA	
	PYG150W-107-C200-YY-P-W	10%loset		loset	1330 mA ≤ loiset ≤ 2100mA	
	PYG150W-214-C1000-P-W	10%loset		loset	700 mA ≤ loiset ≤ 1000mA	
	PYG150W-56-C4200-YY-P-W	268mA		loset	700mA ≤ loiset ≤ 2680mA	
	PYG150W-107-C2100-YY-P-W	13mA		loset	500 mA ≤ loiset ≤ 1330mA	
	PYG150W-214-C1000-P-W	70mA		loset	350mA ≤ loiset ≤ 700mA	

# Product datasheet

## Technical data

### Electrical Specifications

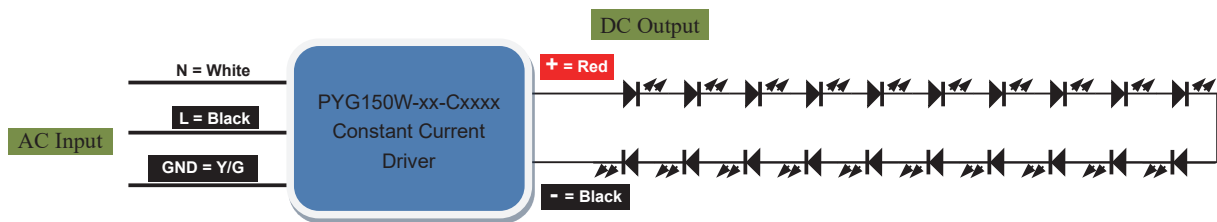
	Category	Standards / Notes	
Safety Compliance	UL / cUL	UL8750, UL1310 Class 2, UL1012 Non Class 2, CSA-C22.2 No. 107.1	
	CCC	GB19510.14-2009, GB19510.1-2009	
	ENEC & CE	EN 61347-1:2007+A1:2010+A2:2012, EN61347-2-13:2014 EN 62493:15	
	Withstand Voltage	Input to Output: 2000 Vac (UL), 3750 Vac (CE, TUV, ENEC); PE to Input:1500 Vac; Dim to Input: 2500 Vac, Dim to Output: 2500 Vac	
	Isolation Resistance	Input to Output: >10MΩ, 500Vdc @ 25°C, 70% RH	
	Dimming	DIM+ (Purple) / DIM- (Pink) are Class 2 Isolated from AC Input and DC Output	
EMC Compliance	FCC	FCC 47CFR Part 15, ANSI C63.4: 2009	
	CCC	GB17743-2007, GB17625.1-2012	
	EMI	CE	EN55015:2013+A1:2015 EN 61000-3-2:2014, EN 61000-3-3:2013
		Energy Star	Energy Star transient protection: Ballast or driver shall comply with ANSI/IEEE C62.41.1-2002 and ANSI/IEEE C62.41.2-2002, Category A operation. The line transient shall consist of seven strikes of a 100KHZ ring wave,2.5KV level, for both common mode and differential mode
	EMS	EN 61000-4-2	Electrostatic Discharge (ESD): 8KV air discharge, 4KV contact discharge
		EN 61000-4-3	Radio-Frequency Electromagnetic Field Susceptibility Test-RS
		EN 61000-4-4	Electrical Fast Transient / Burst-EFT
		EN 61000-4-5	Surge Immunity Test: AC Power Line: line to line 4KV, line to earth 6KV
		EN 61000-4-6	Conducted Radio Frequency Disturbances Test-CS
		EN 61547	Electromagnetic Immunity Requirements Applies To Lighting Equipment

Note: The above test data are in the condition of 25 °C ambient temperature, except for the marked temperature

## Typical Applications

LED Forward voltage:  $V_F = 3.0V \sim 3.5V$

Constant Current Driver

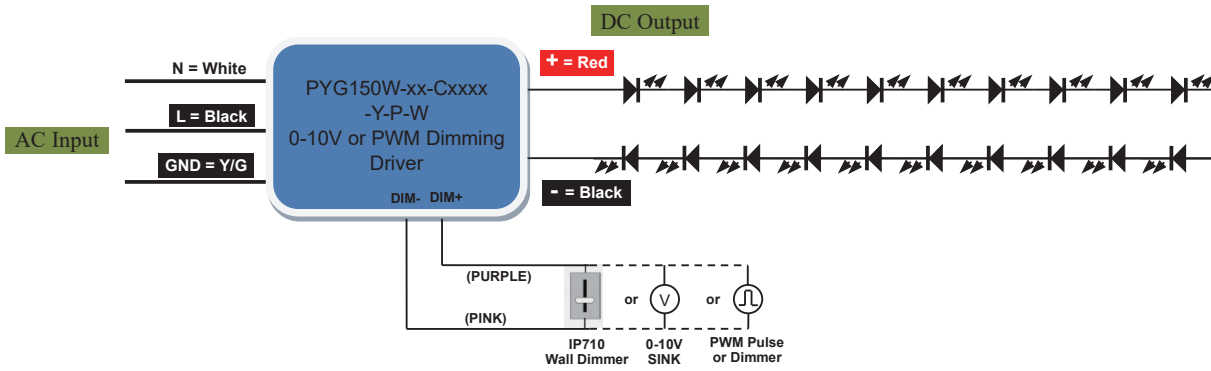


# Product datasheet

## Typical Applications

LED Forward voltage:  $V_F = 3.0V \sim 3.5V$

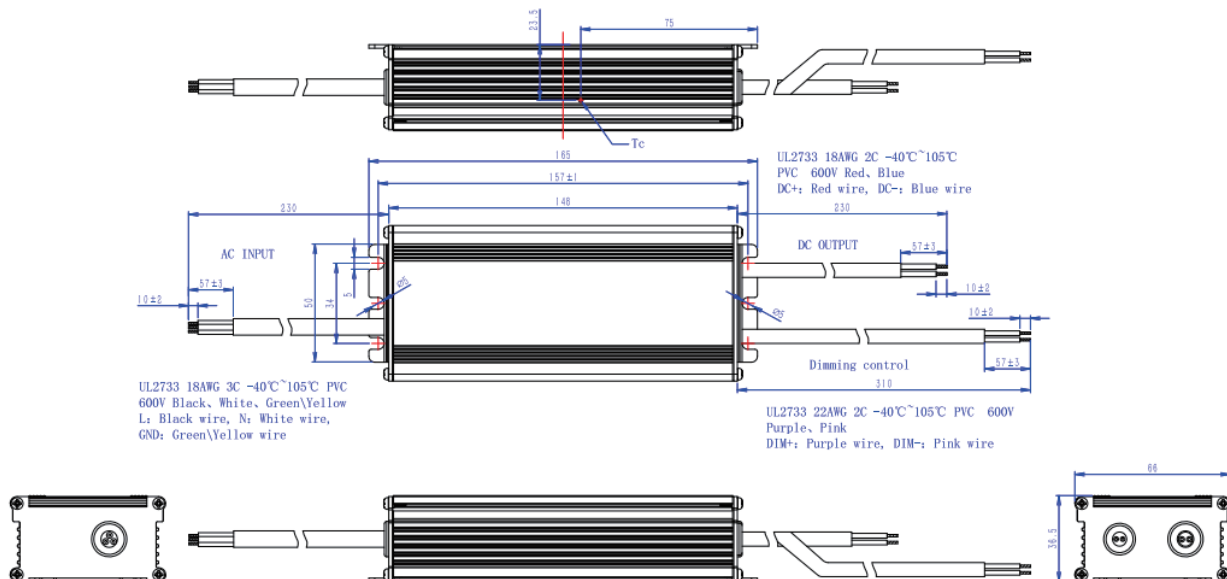
0-10V or PWM Dimming Driver



## Appearance information

Product Size

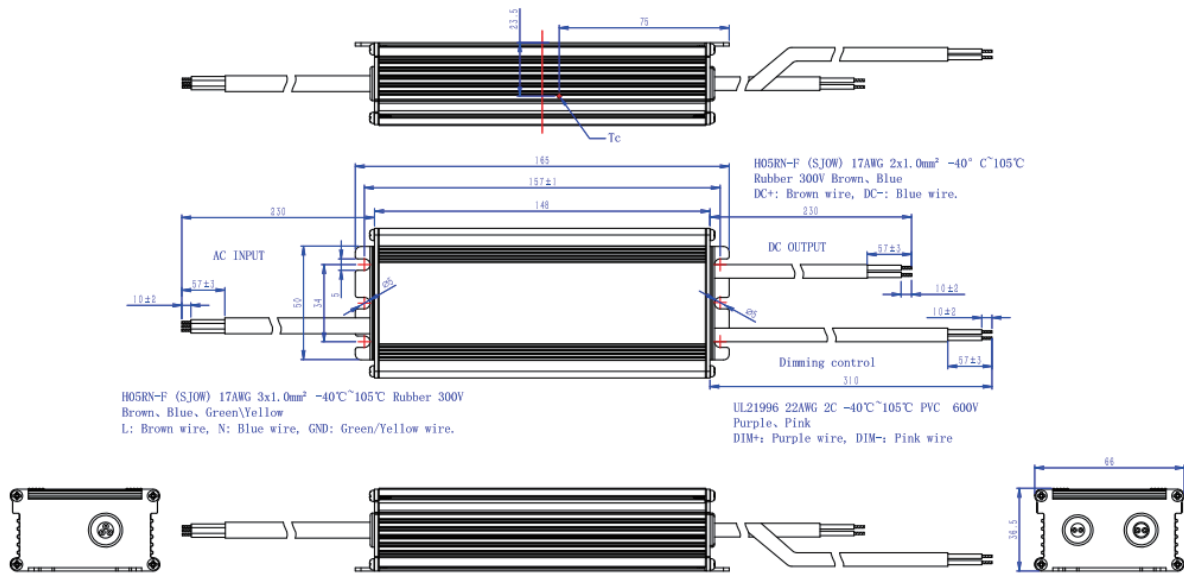
Note: The following is the UL size drawing



# Product datasheet

## Appearance information

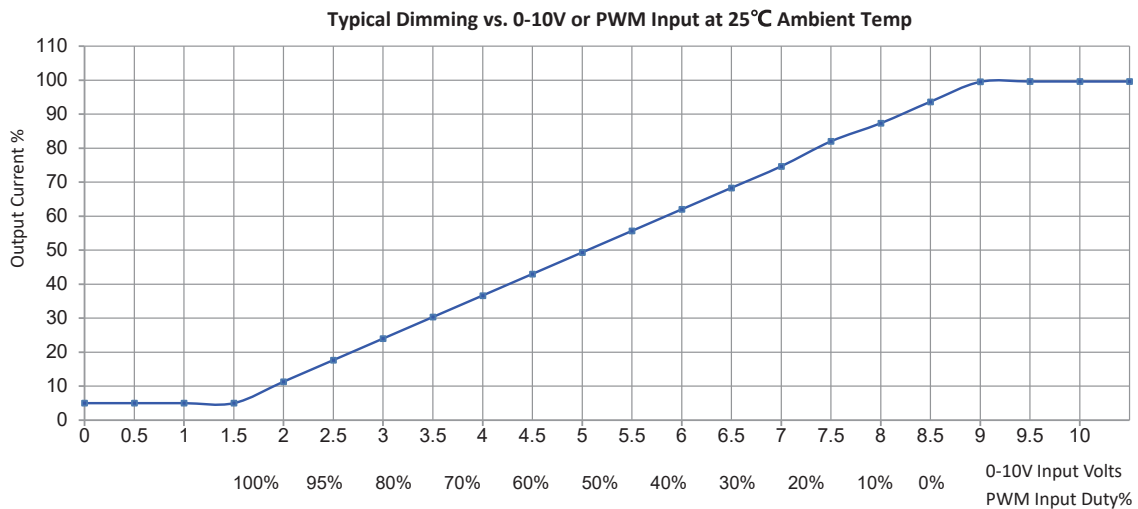
Note: The following is the EU size drawing



Note:

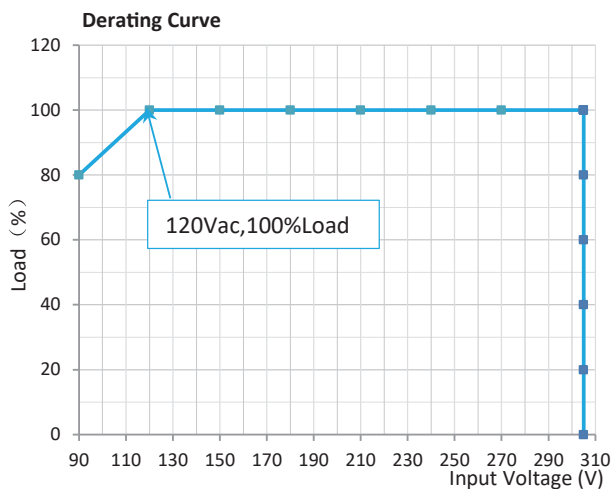
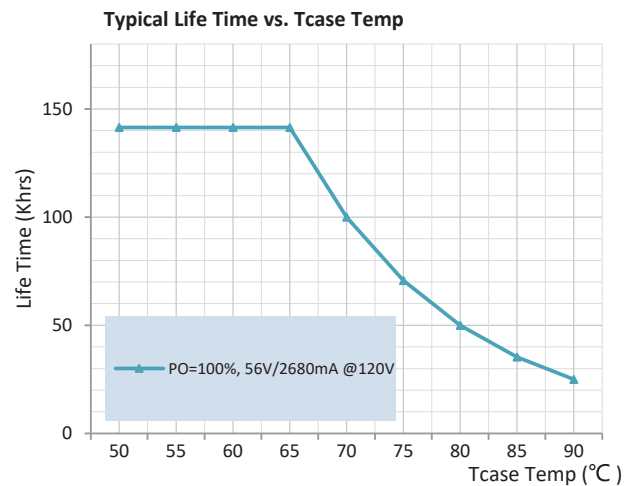
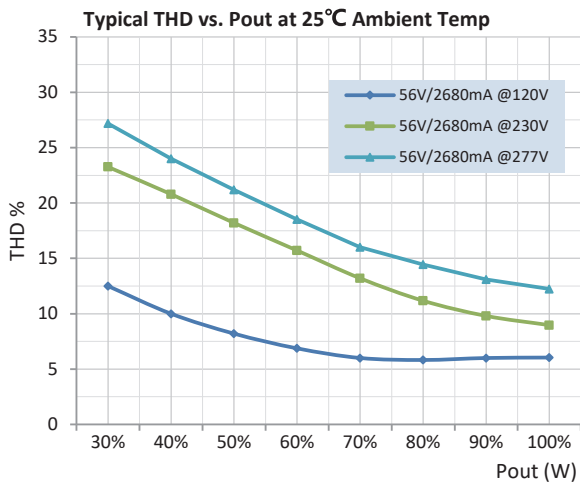
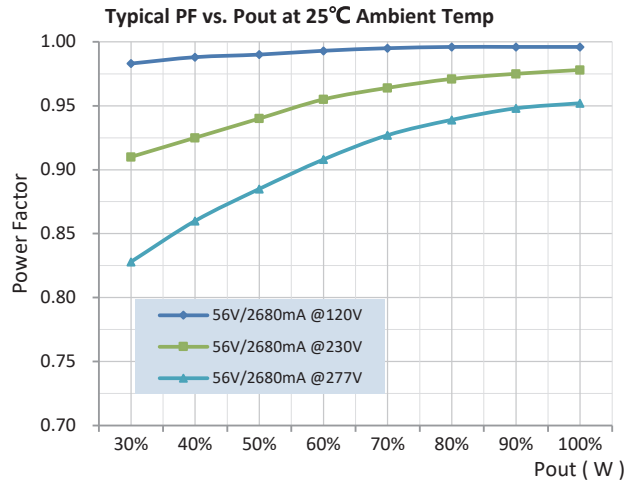
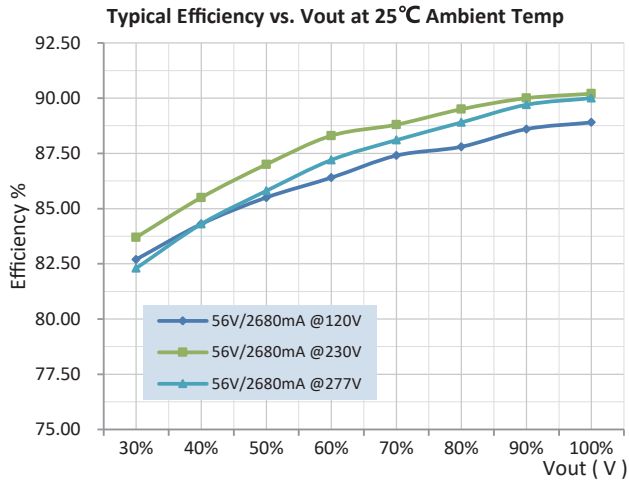
The independent LED drive conforms to the EMC standard. But it is not guaranteed to be qualified, when the drive is mounted in the LED fixture  
Please forgive us for any discrepancy due to the update of the specifications or the upgrade of the product. If you need the latest information, please contact our marketing department

## Dimming Curve



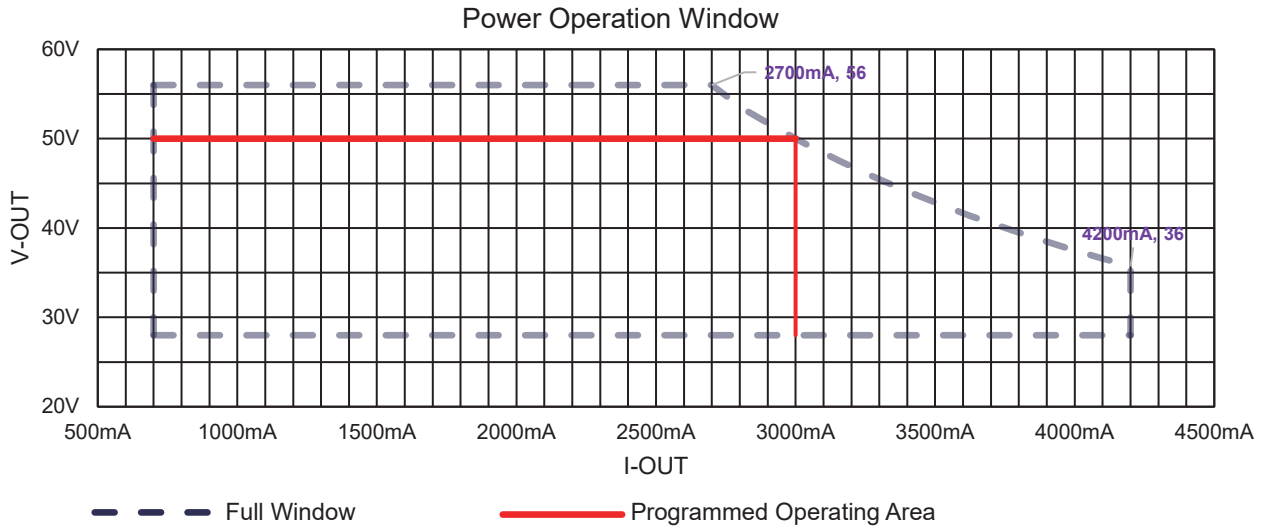
# Product datasheet

## Characteristic Curve

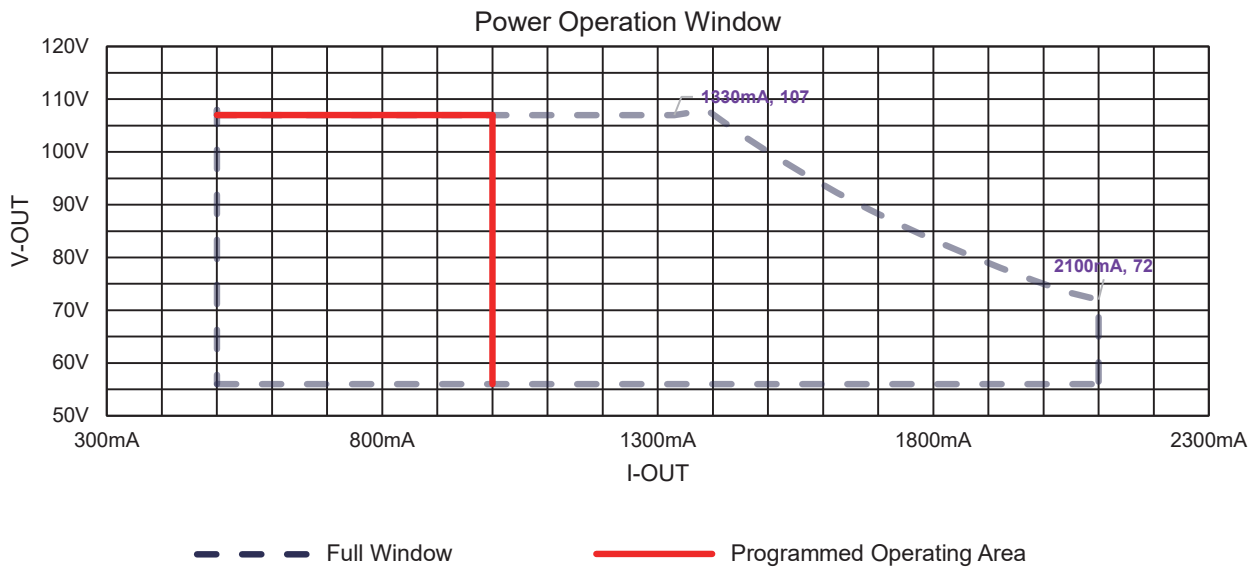


# Product datasheet

## Operating Window (PYG150W-56-C4200)



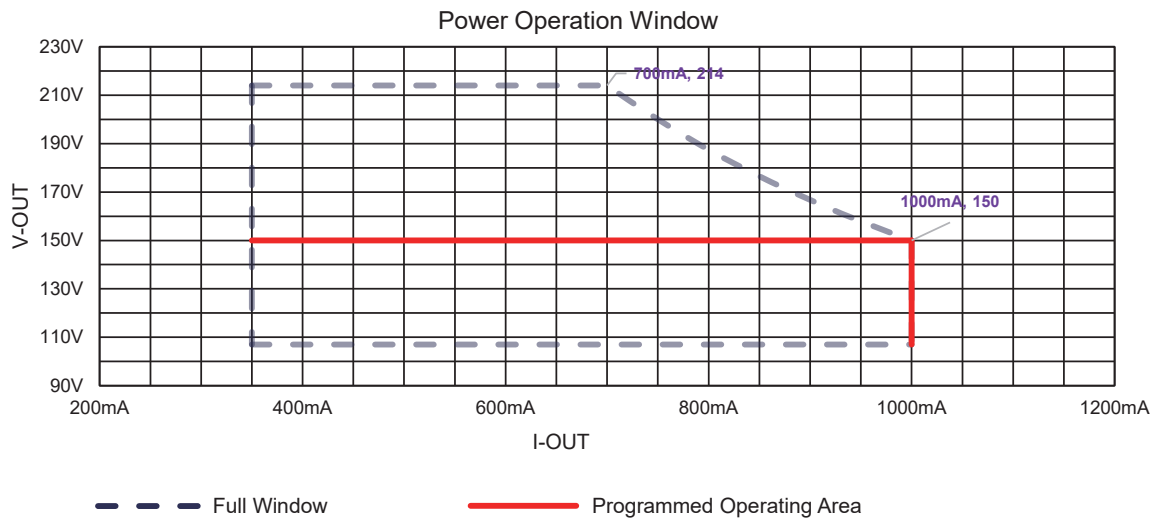
## Operating Window (PYG150W-107-C2100)





# Product datasheet

## Operating Window (PYG150W-214-C1000)



## Installation

UL Cable used in Dry & Damp Location:

AC input cable, the three cores, ANSI/UL2733 18AWG 3C -40°C ~105°C PVC 600V Black、 White、 Green\Yellow

Cable Length: 230mm, External stripping 57mm, Stripping on the tin: 10mm.

Where: L — Black wire, N — White wire, GND — Green\Yellow wire

DC output cable, the two cores, ANSI/UL2733 18AWG 2C -40°C ~105°C PVC 600V Red、 Blue

Cable Length: 230mm, External stripping 57mm, Stripping on the tin: 10mm.

Where: DC+ — Red wire, DC- — Blue wire

Dimming control cable, the two cores, ANSI/UL2733 22AWG 2C -40°C ~105°C PVC 600V Purple、 Pink

Cable Length: 310mm, External stripping 57mm, Stripping on the tin: 10mm.

Where: DIM+ (0-10V or PWM) input — Purple wire, DIM- — Pink wire

UL & CE, CCC, ENEC Standard used in Wet Location:

AC input for connection the three cores copper wire connection.

Outdoor Type : IEC 60245 /VDE 0282-4 / H05RN-F (SJOW) 17AWG 3x1.0mm2 -40°C~105°C Rubber 300V Brown、 Blue、 Green\Yellow

Cable Length: 230mm, stripping on the tin: 10mm.

Where: L — Brown wire, N — Blue wire, GND — Yellow/Green wire

DC output for connection the two core copper wire.

Outdoor Type : IEC 60245 /VDE 0282-4 / H05RN-F (SJOW) 17AWG 2x1.0mm2 -40°C~105 °C Rubber 300V Brown、 Blue

Cable Length: 230mm, stripping on the tin: 10mm.

Where: DC+ — Brown wire, DC- — Blue wire

The dimmer control input is the two copper wires. ANSI/UL21996 22AWG 2C -40°C ~105°C PVC 300V Purple、 Pink

Cable Length: 310mm, stripping on the tin: 10mm.

Where: DIM+ (0-10V or PWM) input — Purple wire, DIM- — Pink wire