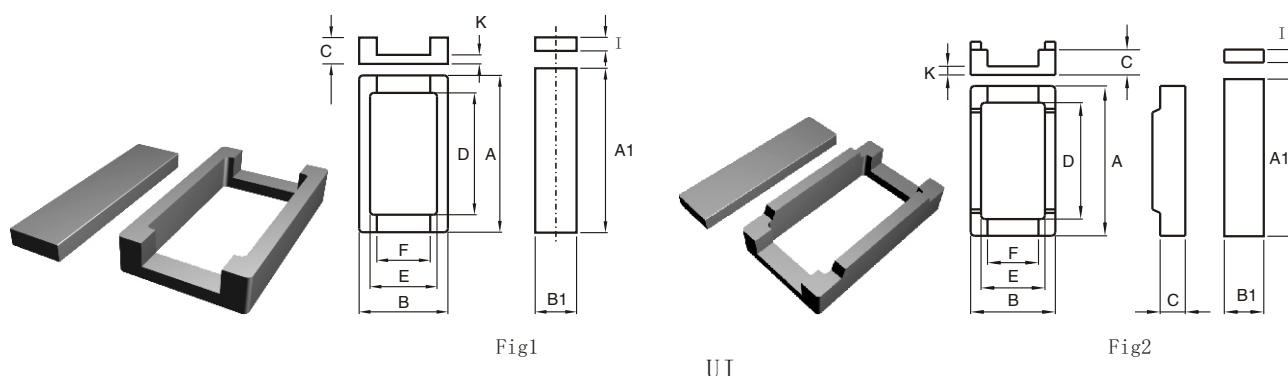


UI TYPE CORES

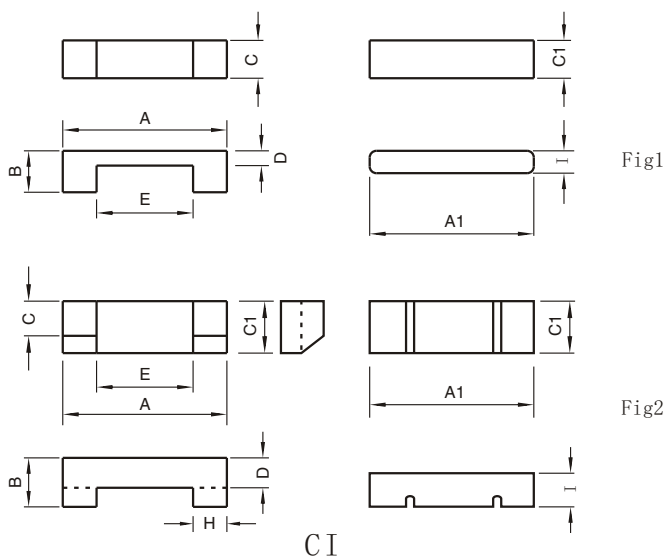
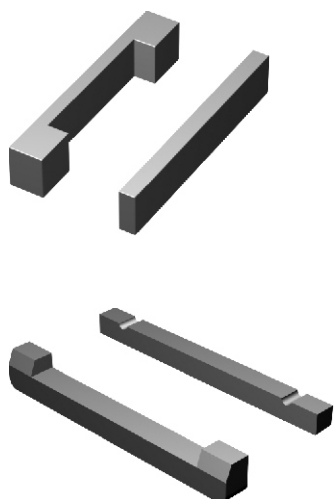


UI TYPE CORES (MATERIALS): P1, P2, P3
 Dimensions & Effective parameter

CORES TYPE	Dimensions(mm)										
	A	B	C	D	E	F	K	A1	B1	I	Fig
UI 7.7	19.6±0.25	7.70±0.20	2.20±0.05	17.00±0.20	5.90±0.20	3.30±0.10	1.15±0.05	19.90±0.30	2.90±0.15	1.10±0.06	1
UI 8.3	27.40±0.30	8.30±0.20	3.00±0.05	22.40±0.30	6.50±0.20	4.80±0.10	1.00±0.05	28.30±0.50	3.85±0.10	1.15±0.08	1
UI 8.5	25.00±0.30	8.50±0.25	3.35±0.15	20.10±0.30	6.30±0.15	4.70±0.15	1.30±0.15	26.00±0.30	3.40±0.15	1.90±0.15	1
UI 9.0	23.60±0.30	8.80±0.20	4.40±0.10	19.40±0.20	6.80±0.20	5.40±0.15	1.30±0.15	23.80±0.20	3.70±0.10	2.60±0.06	1
UI 9.8A	23.75±0.30	8.80±0.15	3.65±0.08	19.20±0.20	7.30±0.15	5.70±0.15	1.30±0.15	24.30±0.30	4.40±0.15	2.02±0.06	2
UI 9.8B	23.75±0.30	8.80±0.15	3.65±0.08	19.20±0.20	7.30±0.15	5.70±0.15	1.45±0.07	24.30±0.30	4.40±0.15	2.02±0.06	2
UI 10	24.00±0.30	10.00±0.25	3.90±0.10	19.00±0.15	7.30±0.15	5.70±0.15	1.20±0.08	24.30±0.30	4.50±0.15	2.27±0.07	1
UI 11.7	20.70±0.30	11.70±0.25	3.90±0.10	15.00±0.15	8.80±0.15	7.00±0.15	1.30±0.10	21.20±0.25	5.50±0.17	1.90±0.08	1
UI 11.7-2	20.90±0.30	11.70±0.25	3.90±0.10	16.20±0.15	8.80±0.15	7.10±0.15	1.30±0.10	21.60±0.20	5.50±0.15	1.80±0.06	1
UI 14.8	19.70±0.30	14.8±0.25	4.60±0.10	15.60±0.25	11.40±0.25	7.00±0.15	1.80±0.05	19.90±0.25	5.45±0.25	2.80±0.06	1
UI 15	19.70±0.30	15.0±0.25	3.65±0.08	14.25±0.20	12.20±0.15	9.00±0.15	1.75±0.05	19.70±0.20	5.55±0.25	1.85±0.07	1

CORES TYPE	Effective Parameter					Wt(g/set)
	Cl (mm ⁻¹)	Le	Ae	Ve	AL±25% nH/N^2	
UI7.7	10.34	40.24	3.89	156.53	20(P3)	0.84
UI8.3	9.33	53.60	5.19	589.00	250(P3)	1.55
UI8.5	6.37	46.85	7.35	344.34	315(P3)	1.94
UI 9.0	6.23	45.63	7.20	340.5	320(P3)	2.15
UI 9.8A	5.96	44.88	7.52	337.49	360(P3)	2.33
UI 9.8B	5.96	44.88	7.52	337.49	360(P3)	2.25
UI 10	5.08	49.10	10.50	561.00	350(P3)	2.70
UI 11.7	4.83	44.50	10.00	437.00	420(P3)	2.35
UI 11.7-2	4.04	40.82	10.08	411.46	420(P3)	2.35
UI 14.8	2.52	45.60	15.53	505.00	500(P3)	3.54
UI 15	4.60	42.50	10.50	585.00	560(P3)	2.64

CI TYPE CORES



CI TYPE CORES (MATERIALS): P1, P2, P3
Dimensions

CORES TYPE	Dimensions (mm)									
	A	B	C	D	E	H	A1	C1	I	Fig
CI 8	26.00±0.25	2.20±0.08	5.50±0.15	0.90±0.08	23.60±0.25		26.00±0.25	5.50±0.15	1.05±0.05	1
CI 8.0A	26.00±0.3	2.30±0.05	5.50±0.15	1.22±0.05	23.30min	1.25±0.05	26.00±0.3	5.50±0.15	1.05±0.05	1
CI 8.3	28.80±0.3	3.60±0.08	2.70±0.15	2.05±0.10	21.60min	3.40±0.10	29.50±0.5	3.15±0.15	1.75±0.05	2
CI 8.5	28.80±0.3	3.60±0.08	3.20±0.10	2.35±0.10	21.60min	3.40±0.10	29.50±0.5	3.50±0.10	2.20±0.05	2
CI 10	23.10±0.3	2.30±0.08	7.40±0.15	1.10±0.08	20.30±0.2		23.10±0.3	7.40±0.15	1.20±0.05	1
CI 17	22.90±0.3	3.70±0.10	13.25±0.2	2.00±0.15	18.90±0.2		22.90±0.3	13.25±0.2	2.00±0.05	1
CI 25	24.64±0.3	3.45±0.15	5.84±0.10	1.60±0.05	21.46±0.2		25.15±0.3	5.84±0.10	1.80±0.05	1

Effective parameter

CORES TYPE	Effective parameter					
	CI (mm ⁻¹)	Le	Ae	Ve	Wt (g/set)	AL±25% μ H/N ²
CI 8	9.56	52.51	5.49	216.84	1.37	265 (P3)
CI 8.0A	9.10	53.10	5.80	310.00	1.49	280 (P3)
CI 8.3	9.71	55.27	5.69	314.49	1.61	300 (P3)
CI 8.5	7.15	55.44	7.75	429.66	2.05	400 (P3)
CI 10	6.5	48.50	7.52	585.26	1.95	380 (P3)
CI 17	1.79	48.19	26.90	6.20	1669.47	1392 (P3)
CI 25	5.30	52.25	9.86	515.18	2.56	470 (P3)