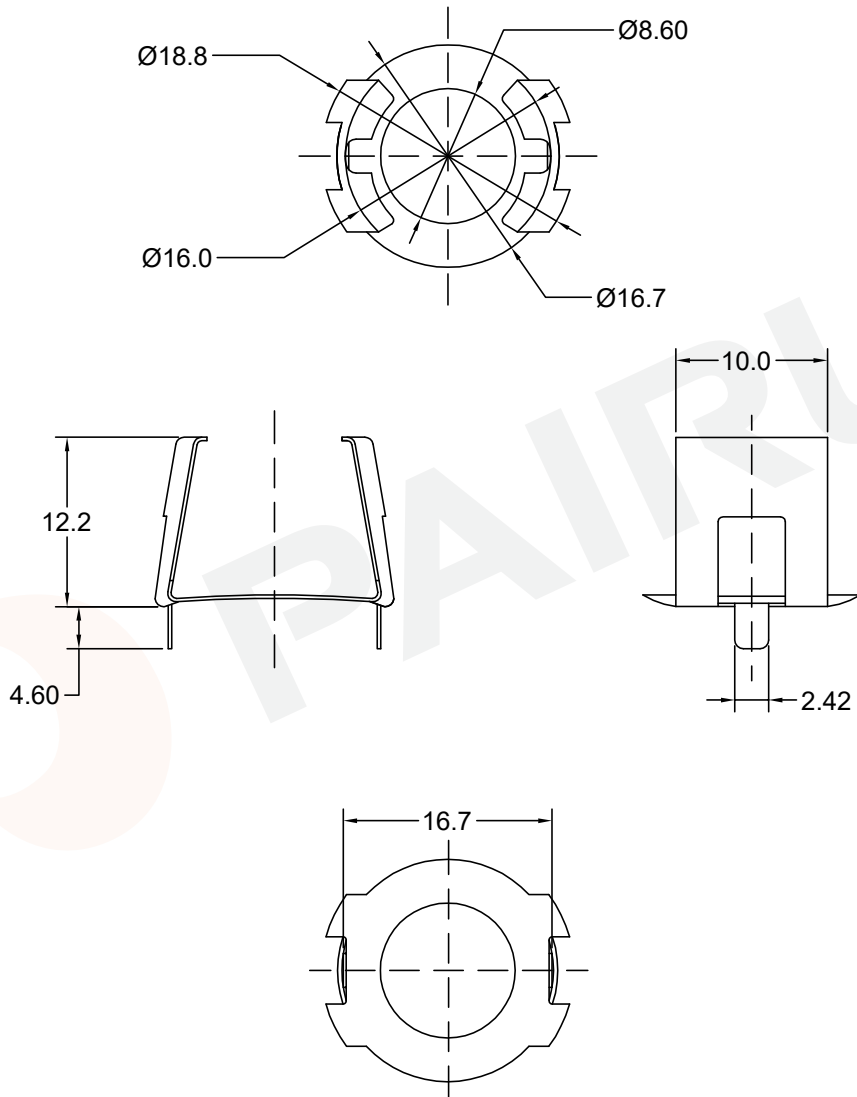


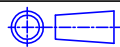
MOUNTING CLIP

DRAWING NO:PC-1811



Tolerances unless otherwise specified:  
 $0 < L \leq 4 \pm 0.10$     $4 < L \leq 16 \pm 0.20$   
 $16 < L \leq 45 \pm 0.30$     $45 \leq L \pm 0.40$   
 Wall thickness:  $0.30 \pm 0.05$    Angle:  $\pm 1^\circ$

Dimensions:  
(mm)



REMARK

Mould No.:	Clip Material: C5191 0.30T
Code No.: FAY01269	UL Recognition:
Make: P.Xiao	Material Number: 222PC1811002
Checked: Beson. zhan	Document/Rev: 00
Approved: Anson. zhan	Date of Recognition: Dec./09/2019



**Fuan Electronics**  
 TEL :0086-514-87693589  
 EML :sales@fuantronics.net  
 WEB:www.fuantronics.net