



TOROIDAL POWER TRANSFORMER:

Electrical Specifications (@25C):

1. Power: 25 to 2500VA
2. Input Voltage: Series: 230VAC, 50/60Hz Parallel: 115VAC, 50/60Hz
3. Voltage Regulation: 2.5%-12% TYP from full load to no load.
4. Hipot: 4000VAC, Primary to Secondary

Construction:

The toroidal construction inherently helps reduce stray fields, increases efficiency and minimizes size compared to traditional EI transformers. Built with Class B (130°) insulation system.

Safety:

World Series Transformers are designed and manufactured to meet most International Safety agency standards.

Connections:

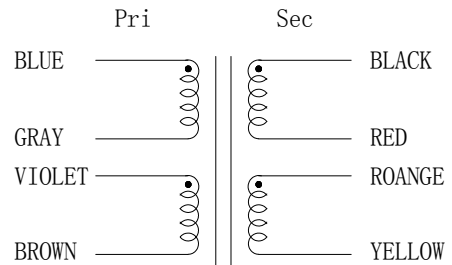
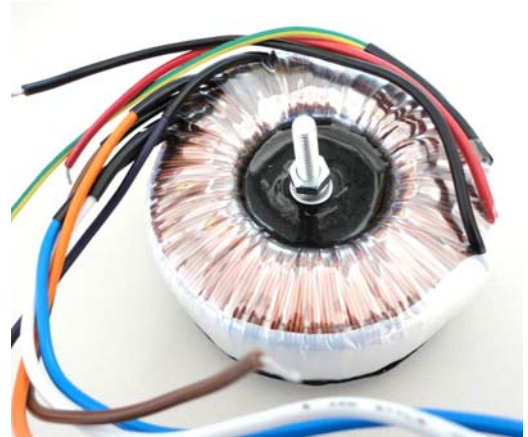
Transformer is provided with 12" (305mm) long, 0.50" (12.7mm) stripped and tinned, stranded UL 1015 lead wire.

Input1: Parallel - BLUE and BROWN, Jumper BLUE to VIOLET, GRAY to BROWN.

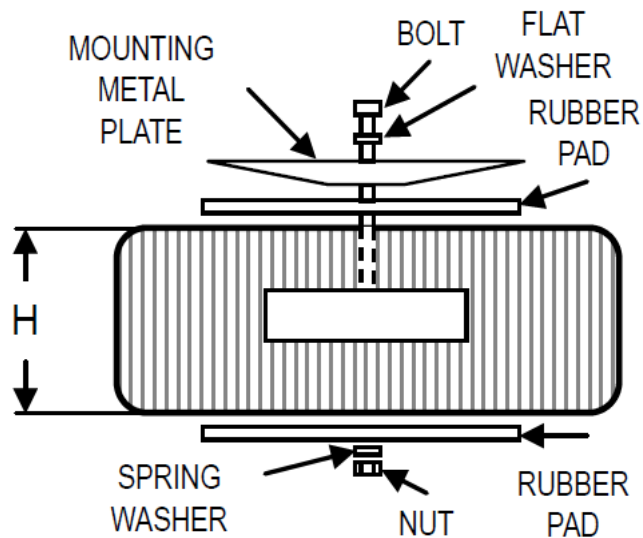
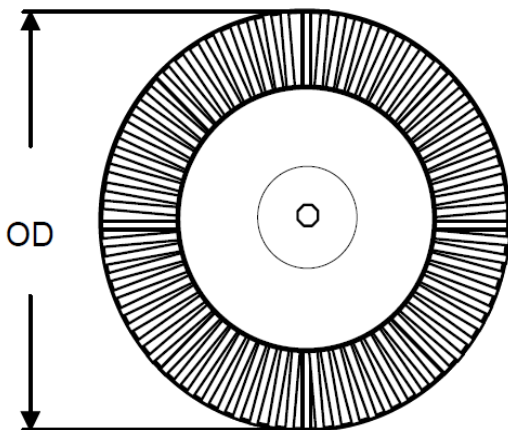
Series - BLUE and BROWN, Jumper GRAY to VIOLET

Output1: Series - BLACK and YELLOW, Jumper RED to ORANGE

Parallel - BLACK and YELLOW, Jumper BLACK to ORANGE, RED to YELLOW



SCHEMATIC



* Upon printing, this document is considered "uncontrolled". Please contact Fuantronics' website for the most current version.

Tianchang Fuan Electronics

TOROIDAL POWER TRANSFORMER:

Fuan		Secondary			Temp rise
P/N	VA	Series	Parallel	Regulation	deg (C)
FATR25-12	25	12V CT @ 2.08A	6.0V @ 4.16A	12.00%	30
FATR25-18	25	18V CT @ 1.39A	9.0V 2.78A	12.00%	30
FATR25-24	25	24V CT @ 1.04A	12V @ 2.08A	12.00%	30
FATR25-30	25	30V CT @ 0.83A	15V @ 1.66A	12.00%	30
FATR25-36	25	36V CT @ 0.69A	18V @ 1.38A	12.00%	30
FATR25-48	25	48V CT @ 0.52A	24V @ 1.04A	12.00%	30
FATR25-230	25	230V CT @ 0.11A	115V @ .22A	12.00%	30
FATR50-12	50	12V CT @ 4.17A	6.0V @ 8.34A	12.00%	40
FATR50-18	50	18V CT @ 2.78A	9.0V 5.56A	12.00%	40
FATR50-24	50	24V CT @ 2.08A	12V @ 4.16A	12.00%	40
FATR50-30	50	30V CT @ 1.67A	15V @ 3.34A	12.00%	40
FATR50-36	50	36V CT @ 1.39A	18V @ 2.78A	12.00%	40
FATR50-48	50	48V CT @ 1.04A	24V @ 2.08A	12.00%	40
FATR50-230	50	230V CT @ 0.22A	115V @ .44A	12.00%	40
FATR100-12	100	12V CT @ 8.33A	6.0V @ 16.66A	9.00%	45
FATR100-18	100	18V CT @ 5.56A	9.0V @ 11.12A	9.00%	45
FATR100-24	100	24V CT @ 4.17A	12V @ 8.34A	9.00%	45
FATR100-30	100	30V CT @ 3.33A	15V @ 6.66A	9.00%	45
FATR100-36	100	36V CT @ 2.78A	18V @ 5.56A	9.00%	45
FATR100-48	100	48V CT @ 2.08A	24V @ 4.16A	9.00%	45
FATR100-230	100	230V CT @ 0.43A	115V @ .86A	9.00%	45
FATR160-12	160	12V CT @ 13.3A	6.0V @ 26.6A	8.00%	50
FATR160-18	160	18V CT @ 8.8A	9.0V @ 17.60A	8.00%	50
FATR160-24	160	24V CT @ 6.67A	12V @ 13.34A	8.00%	50
FATR160-30	160	30V CT @ 5.33A	15V @ 10.66A	8.00%	50
FATR160-36	160	36V CT @ 4.44A	18V @ 8.88A	8.00%	50
FATR160-48	160	48V CT @ 3.33A	24V @ 6.66A	8.00%	50
FATR160-230	160	230V CT @ 0.70A	115V @ 1.40A	8.00%	50
FATR250-12	250	12V CT @ 20.8A	6.0V @ 41.60A	7.00%	50
FATR250-18	250	18V CT @ 13.8A	9.0V @ 27.60A	7.00%	50
FATR250-24	250	24V CT @ 10.42A	12V @ 20.84A	7.00%	50
FATR250-36	250	36V CT @ 6.94A	18V @ 13.88A	7.00%	50
FATR250-48	250	48V CT @ 5.20A	24V @ 10.4A	7.00%	50
FATR250-230	250	230V CT @ 1.09A	115V @ 2.18A	7.00%	50
FATR500-48	500	48V CT @ 10.4A	24V @ 20.8A	5.00%	50
FATR500-100	500	100V CT @ 5.0A	50V @ 10.0A	5.00%	50
FATR500-230	500	230V CT @ 2.17A	115V @ 4.34A	5.00%	50
FATR1000-48	1000	48V CT @ 20.83A	24V @ 41.66A	4.00%	50
FATR1000-100	1000	100V CT @ 10.0A	50V @ 20.0A	4.00%	50
FATR1000-230	1000	230V CT @ 4.35A	115V @ 8.70A	4.00%	50
FATR2500-100	2500	100V CT @ 25.0A	50V @ 50.0A	2.50%	50
FATR2500-230	2500	230V CT @ 10.87A	115V @ 21.74A	2.50%	50

Tianchang Fuan Electronics Co., Ltd

TOROIDAL POWER TRANSFORMER:

Fuan	O. D	Height	Weight	Mounting	Lead wires
P/N	(mm)	(mm)	(kg)	(mm)	Size
FATR25-12	71	32	0.4	M5*40	#22AWG/UL1015
FATR25-18	71	32	0.4	M5*40	#22AWG/UL1015
FATR25-24	71	32	0.4	M5*40	#22AWG/UL1015
FATR25-30	71	32	0.4	M5*40	#22AWG/UL1015
FATR25-36	71	32	0.4	M5*40	#22AWG/UL1015
FATR25-48	71	32	0.4	M5*40	#22AWG/UL1015
FATR25-230	71	32	0.4	M5*40	#22AWG/UL1015
FATR50-12	80	33	0.6	M5*45	#20AWG/UL1015
FATR50-18	80	33	0.6	M5*45	#20AWG/UL1015
FATR50-24	80	33	0.6	M5*45	#20AWG/UL1015
FATR50-30	80	33	0.6	M5*45	#20AWG/UL1015
FATR50-36	80	33	0.6	M5*45	#20AWG/UL1015
FATR50-48	80	33	0.6	M5*45	#20AWG/UL1015
FATR50-230	80	33	0.6	M5*45	#22AWG/UL1015
FATR100-12	87	47	1.0	M6*55	#18AWG/UL1015
FATR100-18	87	47	1.0	M6*55	#18AWG/UL1015
FATR100-24	87	47	1.0	M6*55	#18AWG/UL1015
FATR100-30	87	47	1.0	M6*55	#18AWG/UL1015
FATR100-36	87	47	1.0	M6*55	#18AWG/UL1015
FATR100-48	87	47	1.0	M6*55	#18AWG/UL1015
FATR100-230	87	47	1.0	M6*55	#20AWG/UL1015
FATR160-12	103	48	1.6	M6*60	#14AWG/UL1015
FATR160-18	103	48	1.6	M6*60	#16AWG/UL1015
FATR160-24	103	48	1.6	M6*60	#16AWG/UL1015
FATR160-30	103	48	1.6	M6*60	#16AWG/UL1015
FATR160-36	103	48	1.6	M6*60	#16AWG/UL1015
FATR160-48	103	48	1.6	M6*60	#16AWG/UL1015
FATR160-230	103	48	1.6	M6*60	#18AWG/UL1015
FATR250-12	112	54	2.2	M6*65	#14AWG/UL1015
FATR250-18	112	54	2.2	M6*65	#16AWG/UL1015
FATR250-24	112	54	2.2	M6*65	#16AWG/UL1015
FATR250-36	112	54	2.2	M6*65	#16AWG/UL1015
FATR250-48	112	54	2.2	M6*65	#16AWG/UL1015
FATR250-230	112	54	2.2	M6*65	#16AWG/UL1015
FATR500-48	140	60	4.2	M8*70	#16AWG/UL1015
FATR500-100	140	60	4.2	M8*70	#16AWG/UL1015
FATR500-230	140	60	4.2	M8*70	#16AWG/UL1015
FATR1000-48	175	68	8.2	M8*80	#14AWG/UL1015
FATR1000-100	175	68	8.2	M8*80	#14AWG/UL1015
FATR1000-230	175	68	8.2	M8*80	#14AWG/UL1015
FATR2500-100	208	112	19.4	M8*120	#12AWG/UL1015
FATR2500-230	208	112	19.4	M8*120	#14AWG/UL1015