



TOROIDAL POWER TRANSFORMER:

Electrical Specifications (@25C):

1. Power: 25 to 2500VA
2. Input Voltage: Series: 230VAC, 50/60Hz Parallel: 115VAC, 50/60Hz
3. Voltage Regulation: 2.5%-12% TYP from full load to no load.
4. Hipot: 4000VAC, Primary to Secondary

Construction:

The toroidal construction inherently helps reduce stray fields, increases efficiency and minimizes size compared to traditional EI transformers. Built with Class B (130°) insulation system.

Safety:

World Series Transformers are designed and manufactured to meet most International Safety agency standards.

Connections:

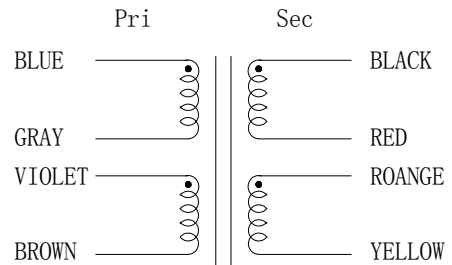
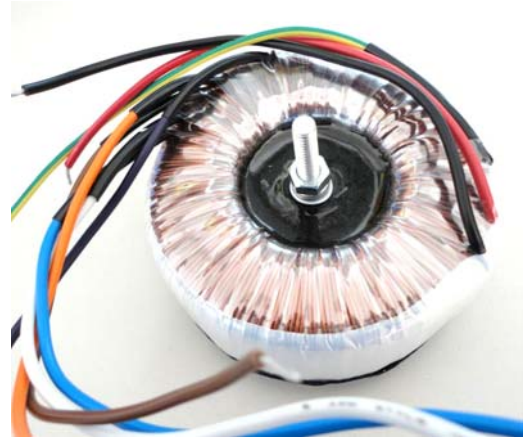
Transformer is provided with 12" (305mm) long, 0.50" (12.7mm) stripped and tinned, stranded UL 1015 lead wire.

Input1: Parallel - BLUE and BROWN, Jumper BLUE to VIOLET, GRAY to BROWN.

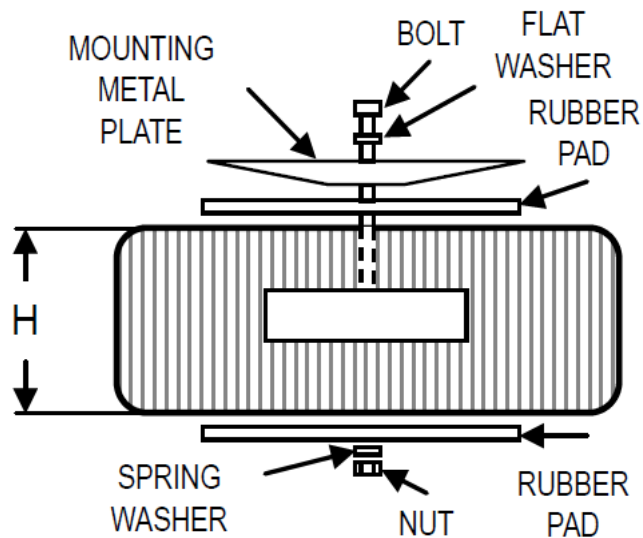
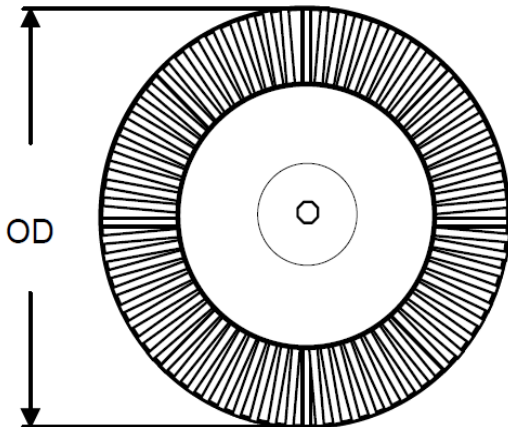
Series - BLUE and BROWN, Jumper GRAY to VIOLET

Output1: Series - BLACK and YELLOW, Jumper RED to ORANGE

Parallel - BLACK and YELLOW, Jumper BLACK to ORANGE, RED to YELLOW



SCHEMATIC



* Upon printing, this document is considered "uncontrolled". Please contact Fuantronics' website for the most current version.

Tianchang Fuan Electronics

TOROIDAL POWER TRANSFORMER:

| Fuan P/N | VA | Secondary | | Regulation | Temp rise deg (C) |
|--------------|------|------------------|---------------|------------|----------------------|
| | | Series | Parallel | | |
| FATR25-12 | 25 | 12V CT @ 2.08A | 6.0V @ 4.16A | 12.00% | 30 |
| FATR25-18 | 25 | 18V CT @ 1.39A | 9.0V 2.78A | 12.00% | 30 |
| FATR25-24 | 25 | 24V CT @ 1.04A | 12V @ 2.08A | 12.00% | 30 |
| FATR25-30 | 25 | 30V CT @ 0.83A | 15V @ 1.66A | 12.00% | 30 |
| FATR25-36 | 25 | 36V CT @ 0.69A | 18V @ 1.38A | 12.00% | 30 |
| FATR25-48 | 25 | 48V CT @ 0.52A | 24V @ 1.04A | 12.00% | 30 |
| FATR25-230 | 25 | 230V CT @ 0.11A | 115V @ .22A | 12.00% | 30 |
| FATR50-12 | 50 | 12V CT @ 4.17A | 6.0V @ 8.34A | 12.00% | 40 |
| FATR50-18 | 50 | 18V CT @ 2.78A | 9.0V 5.56A | 12.00% | 40 |
| FATR50-24 | 50 | 24V CT @ 2.08A | 12V @ 4.16A | 12.00% | 40 |
| FATR50-30 | 50 | 30V CT @ 1.67A | 15V @ 3.34A | 12.00% | 40 |
| FATR50-36 | 50 | 36V CT @ 1.39A | 18V @ 2.78A | 12.00% | 40 |
| FATR50-48 | 50 | 48V CT @ 1.04A | 24V @ 2.08A | 12.00% | 40 |
| FATR50-230 | 50 | 230V CT @ 0.22A | 115V @ .44A | 12.00% | 40 |
| FATR100-12 | 100 | 12V CT @ 8.33A | 6.0V @ 16.66A | 9.00% | 45 |
| FATR100-18 | 100 | 18V CT @ 5.56A | 9.0V @ 11.12A | 9.00% | 45 |
| FATR100-24 | 100 | 24V CT @ 4.17A | 12V @ 8.34A | 9.00% | 45 |
| FATR100-30 | 100 | 30V CT @ 3.33A | 15V @ 6.66A | 9.00% | 45 |
| FATR100-36 | 100 | 36V CT @ 2.78A | 18V @ 5.56A | 9.00% | 45 |
| FATR100-48 | 100 | 48V CT @ 2.08A | 24V @ 4.16A | 9.00% | 45 |
| FATR100-230 | 100 | 230V CT @ 0.43A | 115V @ .86A | 9.00% | 45 |
| FATR160-12 | 160 | 12V CT @ 13.3A | 6.0V @ 26.6A | 8.00% | 50 |
| FATR160-18 | 160 | 18V CT @ 8.8A | 9.0V @ 17.60A | 8.00% | 50 |
| FATR160-24 | 160 | 24V CT @ 6.67A | 12V @ 13.34A | 8.00% | 50 |
| FATR160-30 | 160 | 30V CT @ 5.33A | 15V @ 10.66A | 8.00% | 50 |
| FATR160-36 | 160 | 36V CT @ 4.44A | 18V @ 8.88A | 8.00% | 50 |
| FATR160-48 | 160 | 48V CT @ 3.33A | 24V @ 6.66A | 8.00% | 50 |
| FATR160-230 | 160 | 230V CT @ 0.70A | 115V @ 1.40A | 8.00% | 50 |
| FATR250-12 | 250 | 12V CT @ 20.8A | 6.0V @ 41.60A | 7.00% | 50 |
| FATR250-18 | 250 | 18V CT @ 13.8A | 9.0V @ 27.60A | 7.00% | 50 |
| FATR250-24 | 250 | 24V CT @ 10.42A | 12V @ 20.84A | 7.00% | 50 |
| FATR250-36 | 250 | 36V CT @ 6.94A | 18V @ 13.88A | 7.00% | 50 |
| FATR250-48 | 250 | 48V CT @ 5.20A | 24V @ 10.4A | 7.00% | 50 |
| FATR250-230 | 250 | 230V CT @ 1.09A | 115V @ 2.18A | 7.00% | 50 |
| FATR500-48 | 500 | 48V CT @ 10.4A | 24V @ 20.8A | 5.00% | 50 |
| FATR500-100 | 500 | 100V CT @ 5.0A | 50V @ 10.0A | 5.00% | 50 |
| FATR500-230 | 500 | 230V CT @ 2.17A | 115V @ 4.34A | 5.00% | 50 |
| FATR1000-48 | 1000 | 48V CT @ 20.83A | 24V @ 41.66A | 4.00% | 50 |
| FATR1000-100 | 1000 | 100V CT @ 10.0A | 50V @ 20.0A | 4.00% | 50 |
| FATR1000-230 | 1000 | 230V CT @ 4.35A | 115V @ 8.70A | 4.00% | 50 |
| FATR2500-100 | 2500 | 100V CT @ 25.0A | 50V @ 50.0A | 2.50% | 50 |
| FATR2500-230 | 2500 | 230V CT @ 10.87A | 115V @ 21.74A | 2.50% | 50 |

Tianchang Fuan Electronics Co., Ltd

TOROIDAL POWER TRANSFORMER:

| Fuan | O. D | Height | Weight | Mounting | Lead wires |
|--------------|------|--------|--------|----------|---------------|
| P/N | (mm) | (mm) | (kg) | (mm) | Size |
| FATR25-12 | 71 | 32 | 0.4 | M5*40 | #22AWG/UL1015 |
| FATR25-18 | 71 | 32 | 0.4 | M5*40 | #22AWG/UL1015 |
| FATR25-24 | 71 | 32 | 0.4 | M5*40 | #22AWG/UL1015 |
| FATR25-30 | 71 | 32 | 0.4 | M5*40 | #22AWG/UL1015 |
| FATR25-36 | 71 | 32 | 0.4 | M5*40 | #22AWG/UL1015 |
| FATR25-48 | 71 | 32 | 0.4 | M5*40 | #22AWG/UL1015 |
| FATR25-230 | 71 | 32 | 0.4 | M5*40 | #22AWG/UL1015 |
| FATR50-12 | 80 | 33 | 0.6 | M5*45 | #20AWG/UL1015 |
| FATR50-18 | 80 | 33 | 0.6 | M5*45 | #20AWG/UL1015 |
| FATR50-24 | 80 | 33 | 0.6 | M5*45 | #20AWG/UL1015 |
| FATR50-30 | 80 | 33 | 0.6 | M5*45 | #20AWG/UL1015 |
| FATR50-36 | 80 | 33 | 0.6 | M5*45 | #20AWG/UL1015 |
| FATR50-48 | 80 | 33 | 0.6 | M5*45 | #20AWG/UL1015 |
| FATR50-230 | 80 | 33 | 0.6 | M5*45 | #22AWG/UL1015 |
| FATR100-12 | 87 | 47 | 1.0 | M6*55 | #18AWG/UL1015 |
| FATR100-18 | 87 | 47 | 1.0 | M6*55 | #18AWG/UL1015 |
| FATR100-24 | 87 | 47 | 1.0 | M6*55 | #18AWG/UL1015 |
| FATR100-30 | 87 | 47 | 1.0 | M6*55 | #18AWG/UL1015 |
| FATR100-36 | 87 | 47 | 1.0 | M6*55 | #18AWG/UL1015 |
| FATR100-48 | 87 | 47 | 1.0 | M6*55 | #18AWG/UL1015 |
| FATR100-230 | 87 | 47 | 1.0 | M6*55 | #20AWG/UL1015 |
| FATR160-12 | 103 | 48 | 1.6 | M6*60 | #14AWG/UL1015 |
| FATR160-18 | 103 | 48 | 1.6 | M6*60 | #16AWG/UL1015 |
| FATR160-24 | 103 | 48 | 1.6 | M6*60 | #16AWG/UL1015 |
| FATR160-30 | 103 | 48 | 1.6 | M6*60 | #16AWG/UL1015 |
| FATR160-36 | 103 | 48 | 1.6 | M6*60 | #16AWG/UL1015 |
| FATR160-48 | 103 | 48 | 1.6 | M6*60 | #16AWG/UL1015 |
| FATR160-230 | 103 | 48 | 1.6 | M6*60 | #18AWG/UL1015 |
| FATR250-12 | 112 | 54 | 2.2 | M6*65 | #14AWG/UL1015 |
| FATR250-18 | 112 | 54 | 2.2 | M6*65 | #16AWG/UL1015 |
| FATR250-24 | 112 | 54 | 2.2 | M6*65 | #16AWG/UL1015 |
| FATR250-36 | 112 | 54 | 2.2 | M6*65 | #16AWG/UL1015 |
| FATR250-48 | 112 | 54 | 2.2 | M6*65 | #16AWG/UL1015 |
| FATR250-230 | 112 | 54 | 2.2 | M6*65 | #16AWG/UL1015 |
| FATR500-48 | 140 | 60 | 4.2 | M8*70 | #16AWG/UL1015 |
| FATR500-100 | 140 | 60 | 4.2 | M8*70 | #16AWG/UL1015 |
| FATR500-230 | 140 | 60 | 4.2 | M8*70 | #16AWG/UL1015 |
| FATR1000-48 | 175 | 68 | 8.2 | M8*80 | #14AWG/UL1015 |
| FATR1000-100 | 175 | 68 | 8.2 | M8*80 | #14AWG/UL1015 |
| FATR1000-230 | 175 | 68 | 8.2 | M8*80 | #14AWG/UL1015 |
| FATR2500-100 | 208 | 112 | 19.4 | M8*120 | #12AWG/UL1015 |
| FATR2500-230 | 208 | 112 | 19.4 | M8*120 | #14AWG/UL1015 |