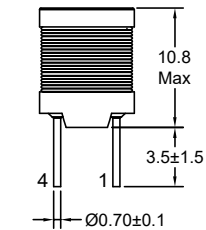


P/N: FALCH4W1010-560M



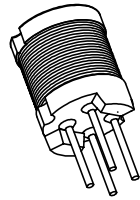
Outline Dimensions(Unit:mm)



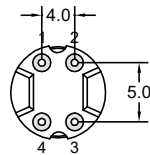
Orthographic view



Top view

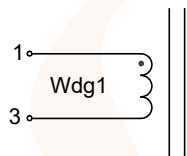


Stereogram



Bottom view

Electrical Schematic



Electrical Characteristics(@25°C)

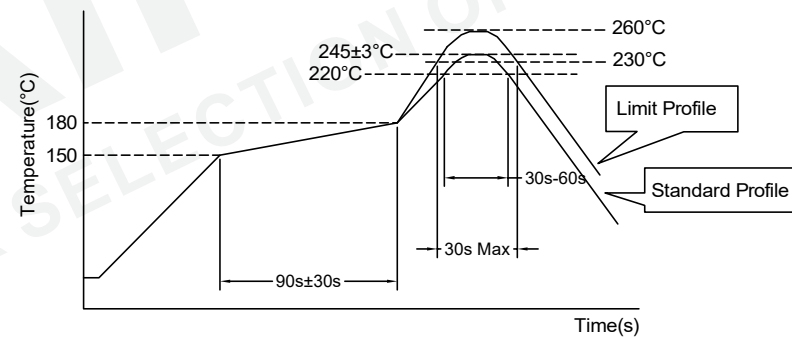
| Inductance<br>1KHz,0.1V<br>1-3 | DC Resistor<br>1-3 | Rated Current |
|--------------------------------|--------------------|---------------|
| 56.0uH±20%                     | 0.092Ω Max         | 2300mA        |

\*\*\*Operating Temperature: -40°C~+125°C.  
(Temperature rise included)  
\*\*\*Storage Temperature : -40°C~+125°C.  
\*\*\*Storage Humidity:RH10%~70%.

Material list

| Part Name   | SPEC                             | Material Type | Supplier   | UL Number |
|-------------|----------------------------------|---------------|--|-----------|
| Core        | DR4W10*10.1<br>(S)RCH<br>(B=4.1) | NiZn          | FengYin Electronics Corporation or Equivalent supplier | N/A       |
| Copper Wire | 2UEW-F                           | 155°C         | Elektrisola Hangzhou Co Ltd                            | E258243   |

Recommended Soldering Temperature Graph.



|                  | Standard Profile    | Standard Profile    |
|------------------|---------------------|---------------------|
| Pre-heating      | 150~180°C,90s±30s   |                     |
| Heating          | above 220°C,30s-60s | above 240°C,30s Max |
| Peak temperature | 245°C±3°C           | 260°C,10s           |
| Cycle of reflow  | 2 times             |                     |

|     |             |      |      |   |   |   |   |  |
|-----|-------------|------|------|---|---|---|---|--|
|     |             |      |      | Tianchang Fuan Electronic Co Ltd<br>www.fuantronics.net<br>TEL: +86-550-7814888<br>FAX: +86-550-7831133 | <br>Tolerances unless otherwise specified:<br>(.X)±0.50 (.XX)±0.25<br>Unit of measurement: mm | Make: Qiumei.Liu<br>Checked: Beson. zhan<br>Approved: Anson. zhan | <b>DRAWING TITLE</b><br>DR4W10*10.1<br>RADIAL FILTER CHOKE<br>Material Number: A331010XS090 | Customer Name:<br>Document/Rev: 00<br>Specification Sheet: 1 of 1<br>Date of Recognition: Jan./02/2020 |
| REV | DESCRIPTION | APPD | DATE |   |   |   |   |  |