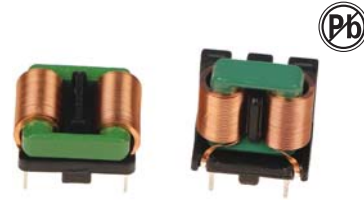


## FRAME CORE CHOKES FACCF24V&H SERIES



### FEATURES:

Small size, Low leakage flux due to D SQ core.  
Low stray capacitance, High attenuation of a wide frequency band.  
There is no danger of the layer short for the single-layer rolling.  
High attenuation to the normal mode noise.  
Winding time 90% down.  
High inductance was achieved by the ferrite mixing and the baking technology that developed originally.

### SPECIFICATION:

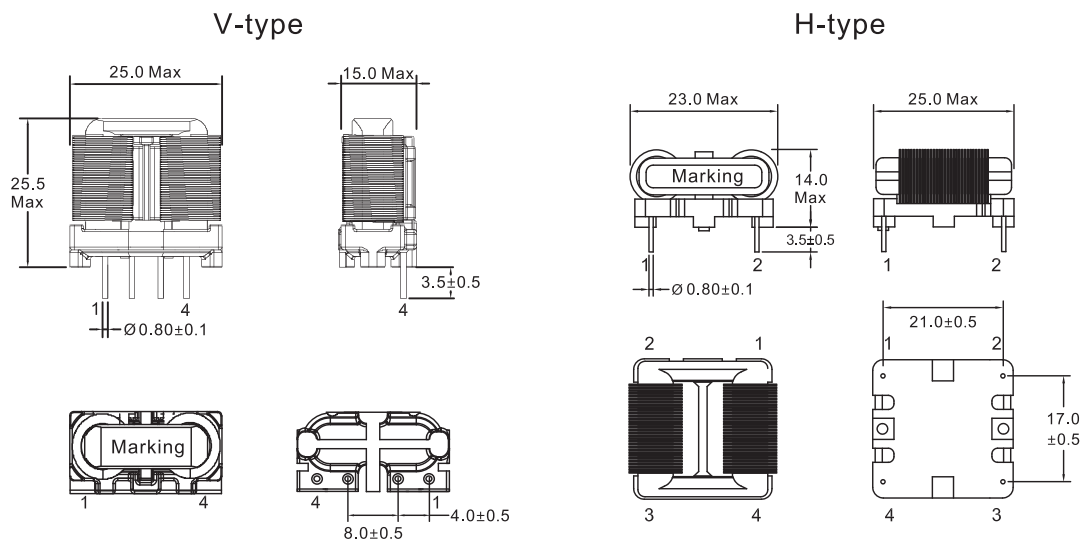
Rated Voltage: AC/DC 250V.  
Operating Temperature Range: -40°C ~ 120°C  
Withstanding Voltage: AC 2000V 60sec or AC 2400V  
1 ~ 2sec [LINE to LINE].  
Insulation Resistance: DC 500V, 100Mohm Min  
[LINE to LINE].  
Temperature Rise: 40°C Max. at Rated Current.

### ELECTRICAL CHARACTERISTICS

Part Number		Inductance [mH]Min	Rated current [A]Max	Power Range [W]
FACCF24V-153Y2R7	FACCF24H-153Y2R7	15	2.70	216
FACCF24V-103Y3R15	FACCF24H-103Y3R15	10	3.15	252
FACCF24V-802Y3R6	FACCF24H-802Y3R6	8.0	3.60	288
FACCF24V-602Y4R5	FACCF24H-602Y4R5	6.0	4.50	360
FACCF24V-402Y5R4	FACCF24H-402Y5R4	4.0	5.40	432

Rated Inductance LR Measured at 1KHz, 250mV, 20°C

### TECHNICAL INFORMATION



**DIMENSIONS:mm**