

HIGH CURRENT SURFACE-MOUNT WIRE-WOUND INDUCTORS FALQH2220 SERIES



FEATURES :

Ferrite Core
 High Frequency Design
 Lower DCR permits High Idc
 Available in E12 series
 Excellent Q SRF Values
 Lead free versions
 RoHS compliant
 Excellent Thermal Stability

OPTIONS:

Tape & Reel is Standard
 (Qty : 500pcs)
 Bulk packaging Available
 for Smaller Quantities
 Tolerance : K=10%,M=20% is
 Standard,Tighter Tolerances Available

COMMON APPLICATIONS:

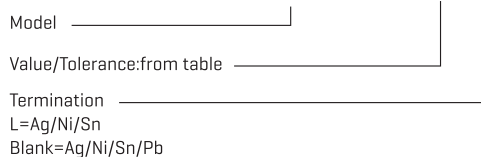
Modems PDP.LCD TVs converter
 Mobile Radios DC/DC converter
 Cordless Telephones Car radios
 Global Positioning Systems
 Wireless Communications Equipment
 Networking System,xDSL Filter
 Computer Products and Peripherals

STANDARD SPECIFICATION:

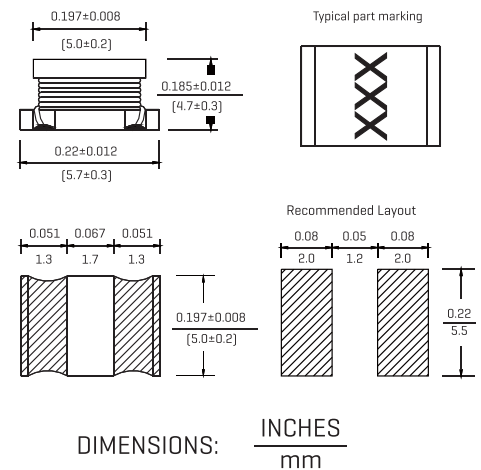
Part Number	L [μH]	L Test Freq [KHz]	Q [Min]	Q Test Freq [MHz]	SRF [MHz]	DCR [ohmMax]	IDC [A Max]
FALQH-2220-R12M	0.12	1	10	1	450	0.010	6.0
FALQH-2220-R27M	0.27	1	10	1	300	0.014	5.3
FALQH-2220-R47M	0.47	1	10	1	200	0.018	4.8
FALQH-2220-1R0M	1.0	1	20	1	150	0.027	4.0
FALQH-2220-1R5M	1.5	1	20	1	110	0.031	3.7
FALQH-2220-2R2M	2.2	1	20	1	80	0.041	3.2
FALQH-2220-3R3M	3.3	1	20	1	40	0.050	2.9
FALQH-2220-4R7M	4.7	1	30	1	30	0.057	2.7
FALQH-2220-6R8M	6.8	1	30	1	25	0.10	2.0
FALQH-2220-100K	10	1	35	1	20	0.13	1.7
FALQH-2220-150K	15	1	35	1	17	0.21	1.4
FALQH-2220-220K	22	1	35	1	15	0.27	1.2
FALQH-2220-330K	33	1	35	1	12	0.45	0.9
FALQH-2220-470K	47	1	35	1	10	0.56	0.8
FALQH-2220-680K	68	1	35	1	7.6	0.94	0.64
FALQH-2220-101K	100	0.1	35	0.796	6.5	1.20	0.56
FALQH-2220-151K	150	0.1	40	0.796	5.0	2.66	0.42
FALQH-2220-221K	220	0.1	40	0.796	4.0	3.36	0.32
FALQH-2220-331K	330	0.1	40	0.796	3.1	6.16	0.27
FALQH-2220-471K	470	0.1	40	0.796	2.4	7.56	0.24
FALQH-2220-681K	680	0.1	40	0.796	1.9	11.3	0.19
FALQH-2220-102K	1000	0.01	40	0.796	1.7	14.4	0.15
FALQH-2220-152K	1500	0.01	40	0.796	1.2	30.1	0.10
FALQH-2220-222K	2200	0.01	40	0.796	1.1	45.0	0.09
FALQH-2220-332K	3300	0.01	40	0.796	1.0	50.0	0.08
FALQH-2220-472K	4700	0.01	40	0.796	0.8	61.0	0.07
FALQH-2220-682K	6800	0.01	40	0.796	0.7	100	0.06
FALQH-2220-822K	8200	0.01	40	0.796	0.6	125	0.05
FALQH-2220-103K	10000	0.01	40	0.796	0.5	140	0.05

Note:1. K=±10%,M=±20%

FALQH2220 - 100 M



PHYSICAL CHARACTERISTICS:



ELECTRONICAL SCHEMATIC:



TECHNICAL INFORMATION:

- Inductance Testing: HP4291A,HP16193A,HP4286A or equivalent
- RDC:QuadTech 1880 Milliohm meter
- Q- HP4342A
- SRF-HP4191A
- Rated Current L value drop10%typ.at IDC against its initial value
- Temperature rise 40°C Max Reference ambient temperature
- Solderability: 75% of the terminal electrode shall be covered
- Soldering Methods: Wave,Reflow
- Operating Temperature:-25°C to +85°C
- Storage Temperature: -55°C to +125°C

Note: All specifications subject to change without notice.